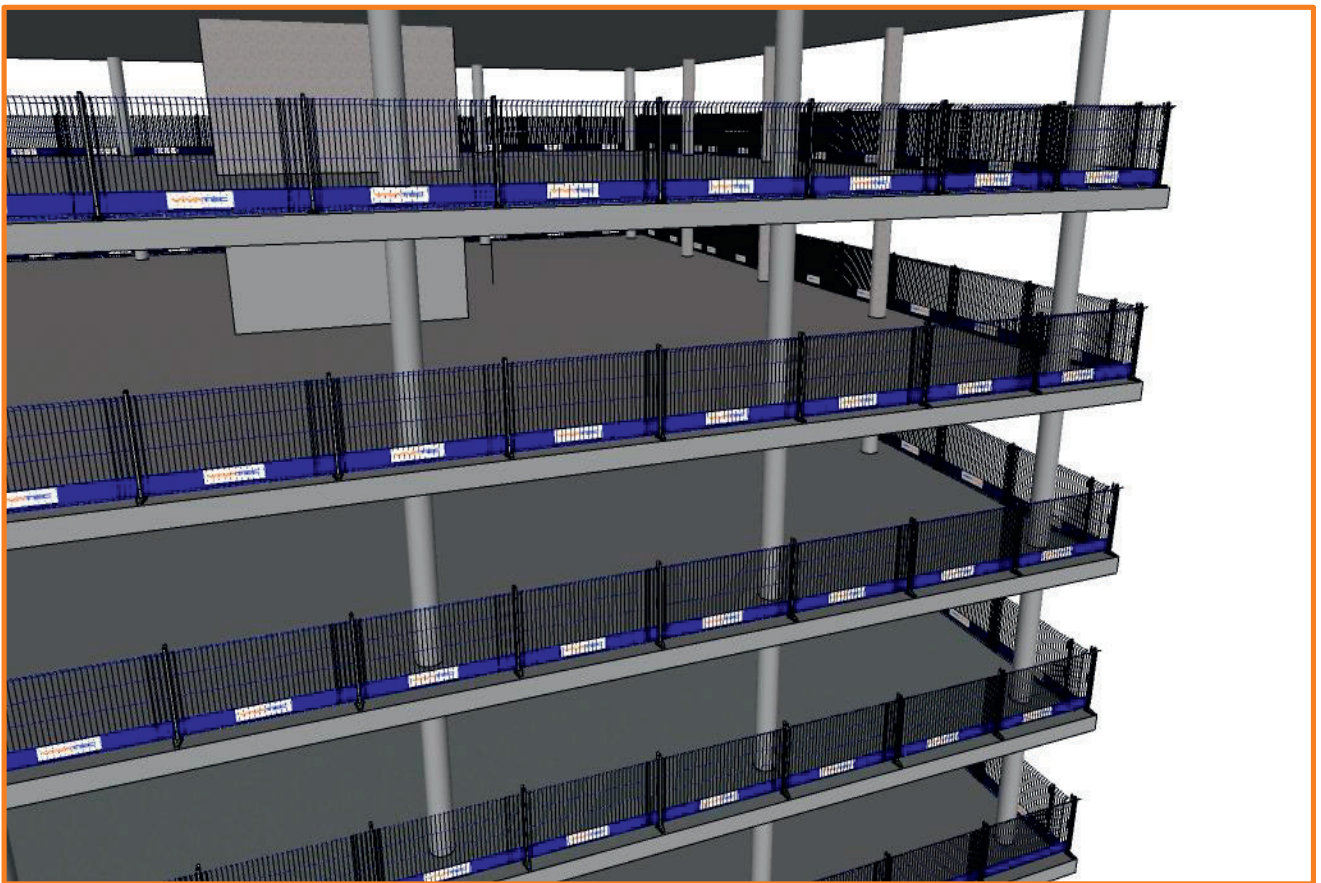


Edge Protection

Collective Edge Protection on Construction Sites



For information on the Catch Fan please see 'User Manual Catch Fan'.



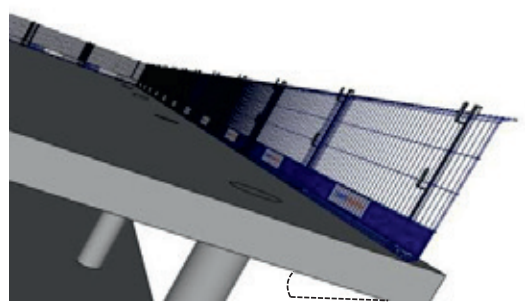

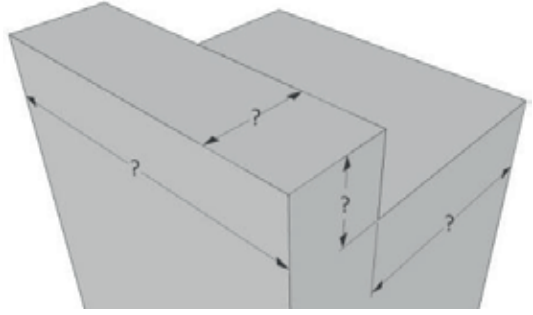

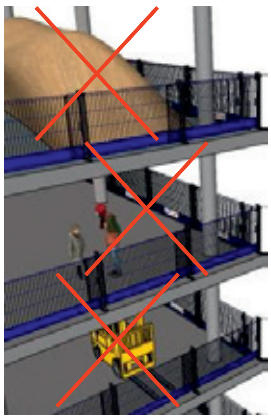
Table of Contents

| | |
|----------------------------------|-----------|
| General Information | 4 |
| Barriers | 5 |
| Barrier 2600 x 1180, V2 | 6 |
| Barrier 1300 x 1180, V2 | 7 |
| Lifting the Barriers | 8 |
| VT Posts and Accessoires | 9 |
| VT Post 1500 Basic | 10 |
| VT Post 1195 Timber | 11 |
| VT Post French | 12 |
| VT Scan Post 1200 | 13 |
| VT Scandic Slider | 14 |
| VT Post Extension 240/425 | 15 |
| Barrier / Lumber | 16 |
| VT Slider | 17 |
| Toeboard Holder | 18 |
| Changing of damaged Easy Snaps | 19 |
| Attachments | 20 |
| VT Foot | 21 |
| VT Eco Foot | 22 |
| VT Edge 100 | 23 |
| VT Edge French 55 | 24 |
| VT Timber Beam Clamp (H20 Clamp) | 25 |
| VT Ground | 26 |

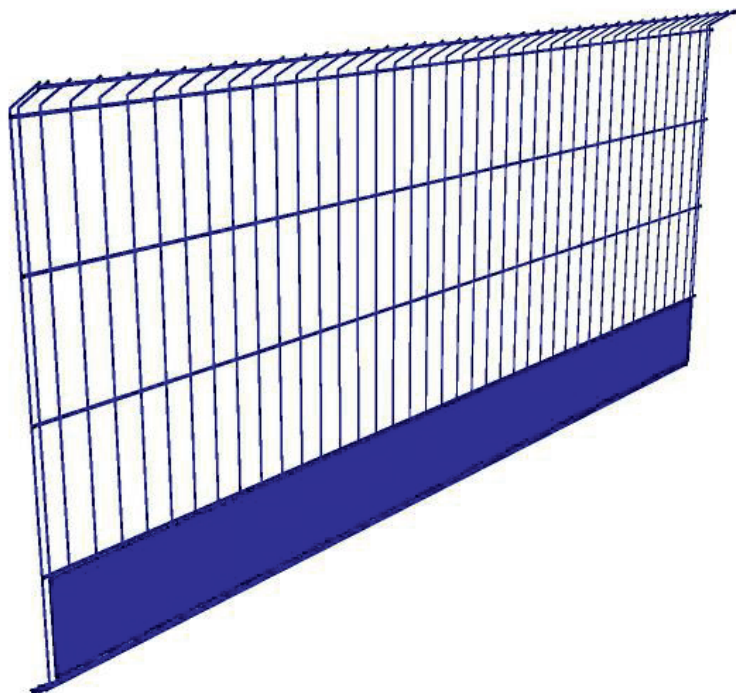
Table of Contents

| | |
|--------------------------------|-----------|
| VT Clamp XL 60 | 27 |
| VT Clamp 50 | 28 |
| VT Steelweb | 29 |
| VT Frontfix | 30 |
| VT Adapter 25 | 31 |
| VT Adapter 40 | 32 |
| VT Cast In | 33 |
| VT Balcony Attachment | 34 |
| VT Slabstopfix | 35 |
| VT Shaftfix | 36 |
| VT Joist Hanger 55 | 37 |
| VT Joist Hanger 82 | 38 |
| Means of Transportation | 39 |
| VT Barrier Frame 25 | 40 |
| VT Barrier Frame 60 | 41 |
| Euro Box | 42 |
| Box with Crane Hooks | 43 |
| Euro Pallet | 44 |

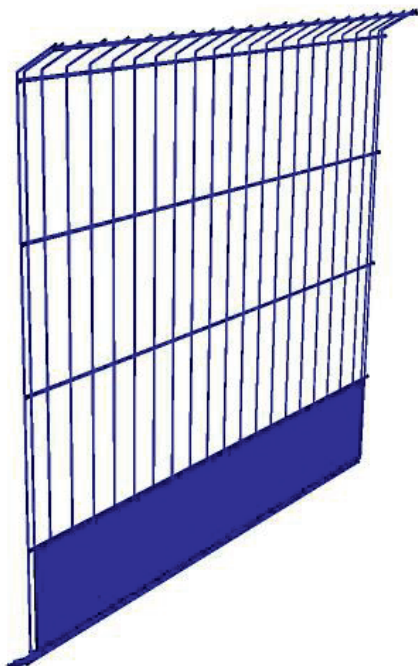
General Information

| | |
|--|---|
|   <p>Barriers must be assembled in a way that they guarantee safety. During rigging make sure you are secured.</p> | <p>Maximum Inclination: 10° / 18 %</p>  <p>Max. 10° / 18 %)</p> |
| <p>Identify the surface.</p>  | <p>Take measures.</p>  |
| <p>Maximum height: 40 m</p>  <p>Max. 40 m</p> <p>Height > 40 m Wind speed > 115 km/h</p> <p>↓</p> <p>Statical calculation obligatory!</p> |  <p>No protection against bulk, snow etc.</p> <p>Does not comply with the standard for public safety.</p> <p>No protection against impacts caused by heavy machinery.</p> |

Barrier



Barrier 2600 x 1180, V2
Item No.: 2012611



Barrier 1300 x 1180, V2
Item No.: 2011311

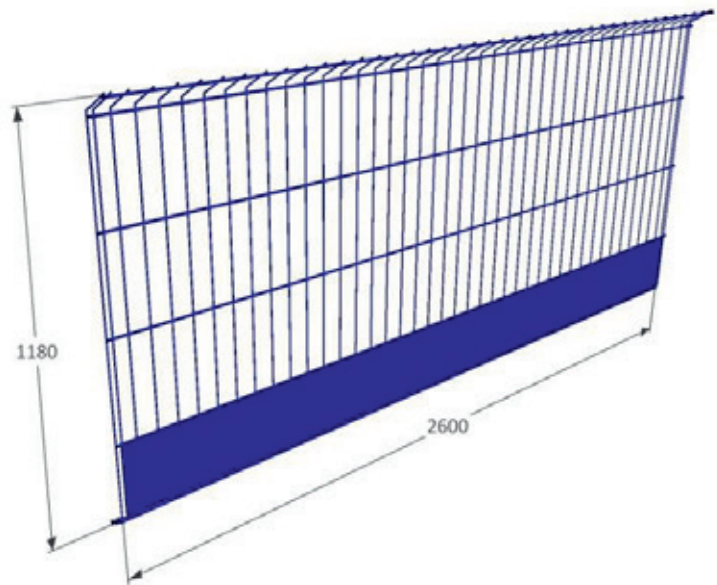
Barrier 2600 x 1180, V2

VT Barrier Frame 60
Box for 60 Barriers

Item No.: 2012611
19,8 kg
EN 13374-A



→ 1276 kg



| | |
|----------------------------------|---------|
| Minimum Overlap of the Barriers: | 100 mm |
| Maximum Cantilever: | 600 mm |
| Maximum Post Interval: | 2400 mm |



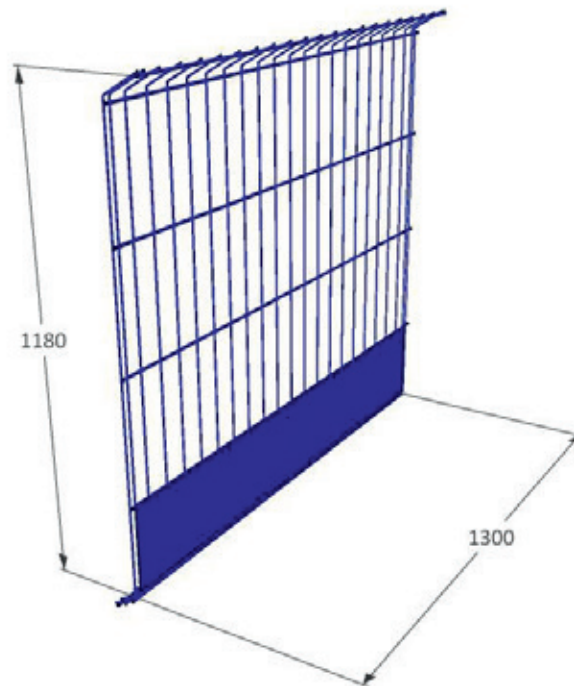
Barrier 1300 x 1180, V2

VT Barrier Frame 60
Box for 60 Barriers

Item No.: 2011311
11,0 kg
EN 13374-A



→ 748 kg



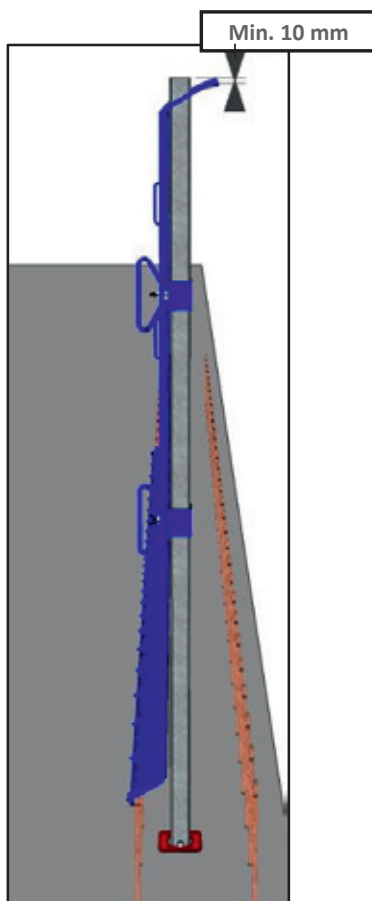
| | |
|----------------------------------|---------|
| Minimum Overlap of the Barriers: | 100 mm |
| Maximum Cantilever: | 270 mm |
| Maximum Post Interval: | 1100 mm |



Lifting the Barriers



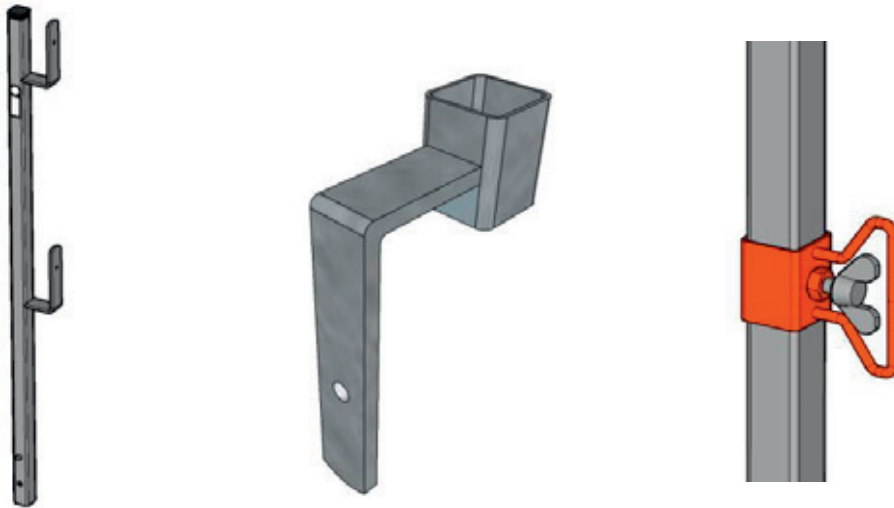
If the situation on site requires it the barriers can be lifted.



To do this, open the thumbscrews of the VT Slider, the VT Slider V2 or the VT Scandic Slider so that the barriers can be moved to the desired position.

The barriers are to be mounted in a way that the posts are at least 10 mm higher than the barriers.

VT Posts and Accessoires



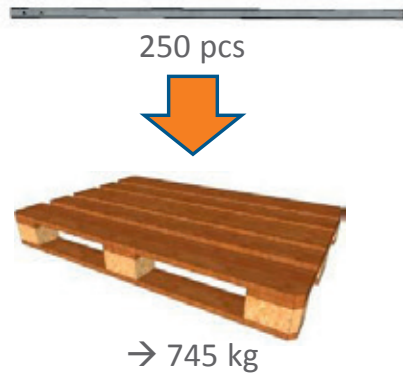
When installing edge protection elements, it is essential to ensure safety.

The maximum load of individual components should always be kept in mind. In addition, special attention must be paid to individual safety before any use.

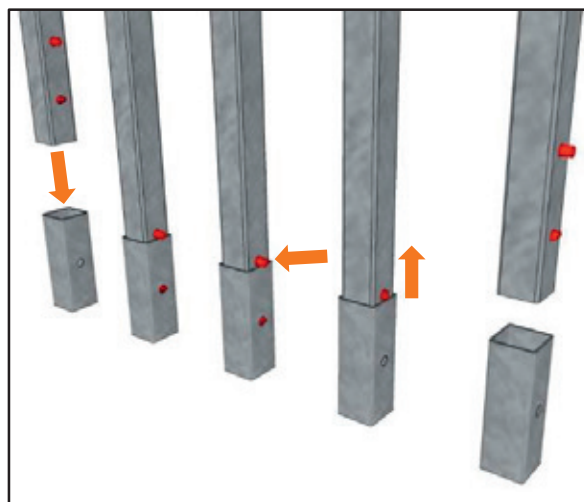
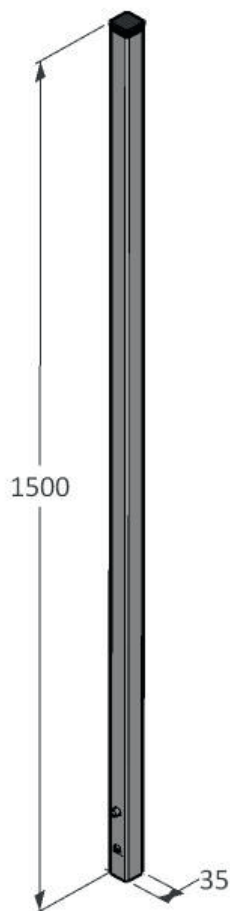
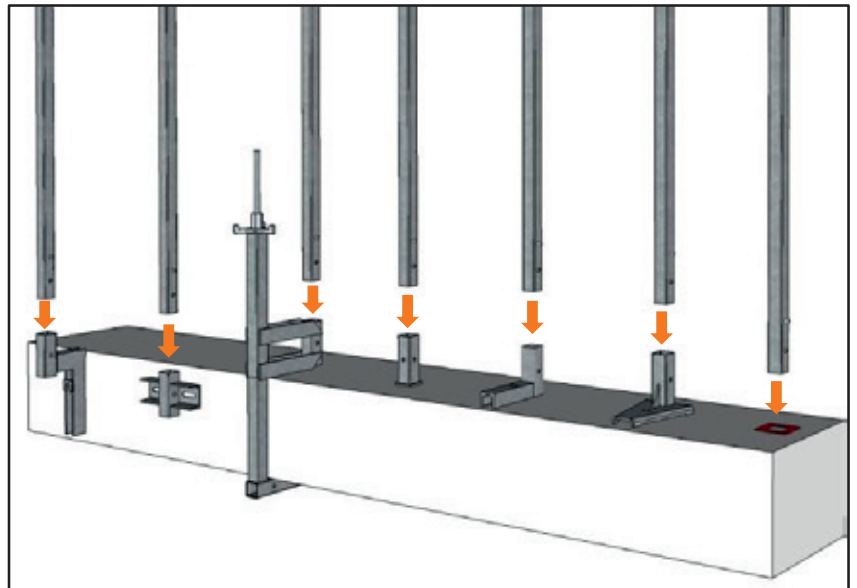
Statutory regulations and specifications must be observed at all time.

VT Post 1500 Basic

Item No.: 5031500B
2,9 kg
EN 13374-A



Possibilities of Attachment:



[mm]

VT Post 1195 Timber

Item No.: 5031195

3,2 kg

EN 13374-A

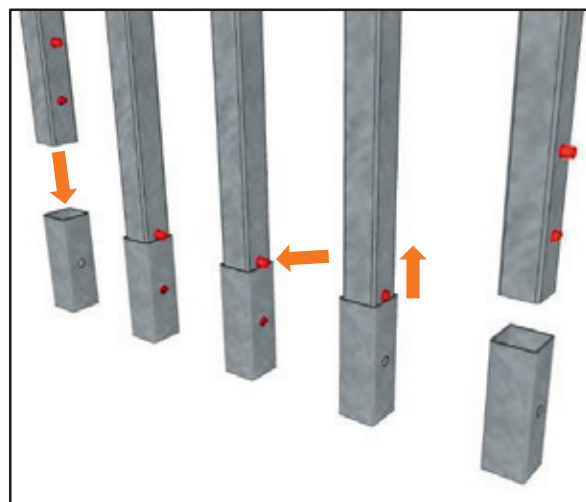
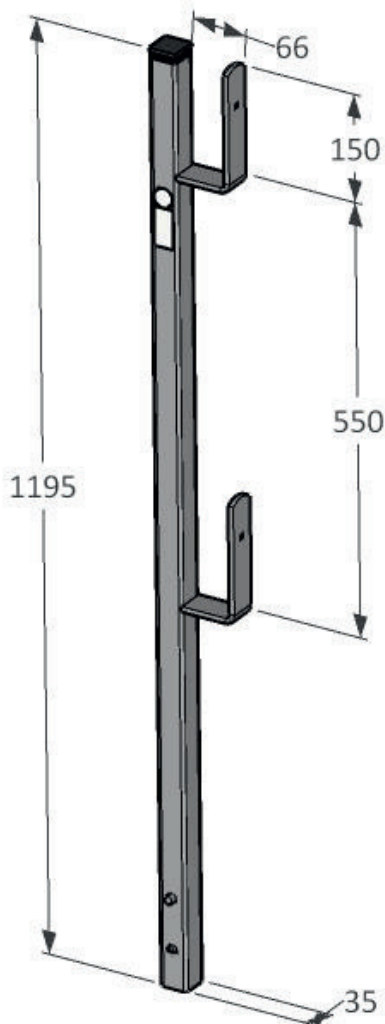
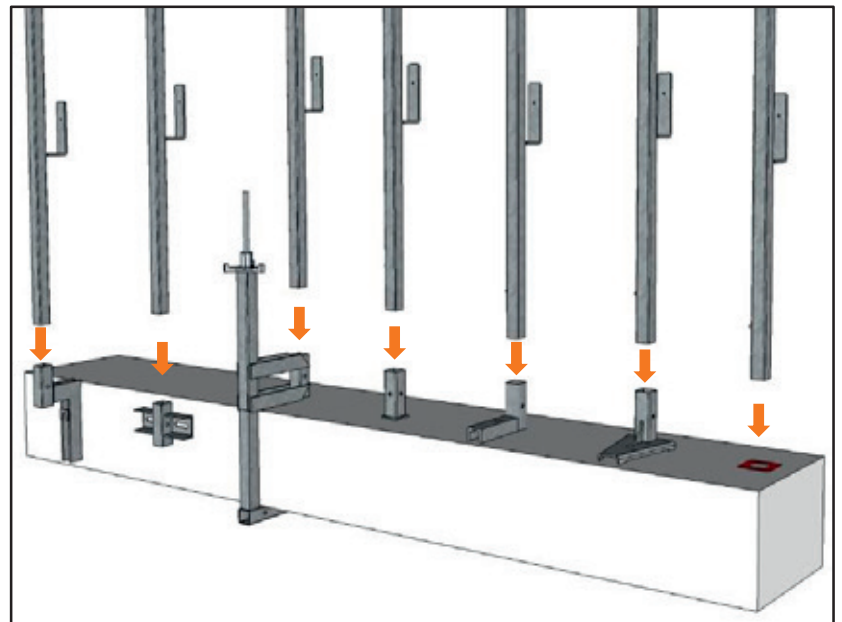


100 pcs



→ 340 kg

Possibilities of Attachment :



← [mm] →

VT Post French Basic

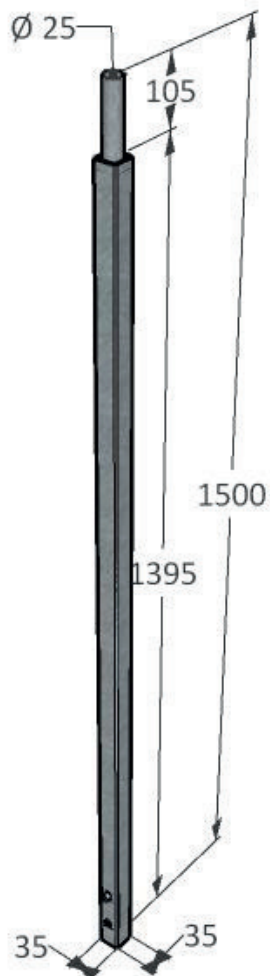
Item No.: 5030016B
3,6 kg
EN 13374-A



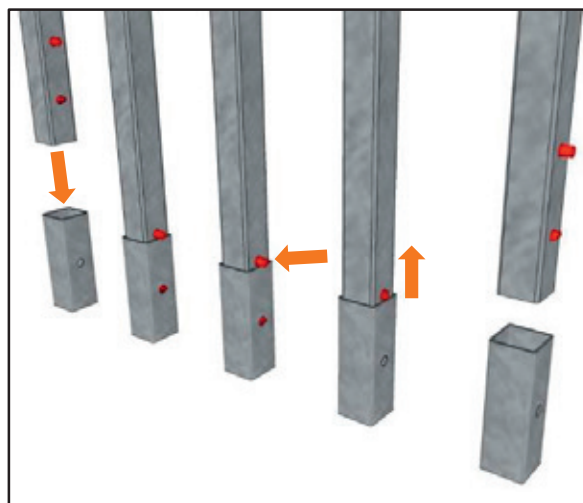
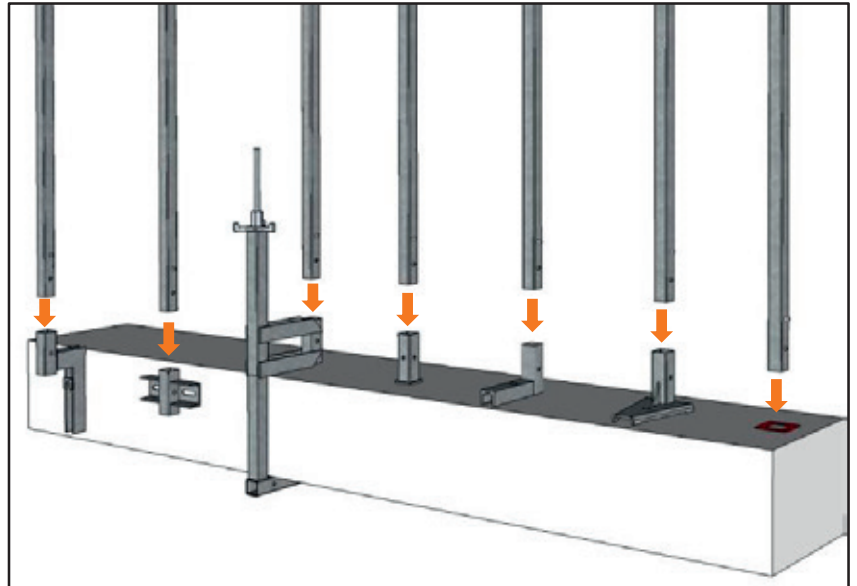
250 pcs



→ 920 kg



Possibilities of Attachment :



[mm]

VT Scan Post 1200

Item No.: 5039003

3,4 kg

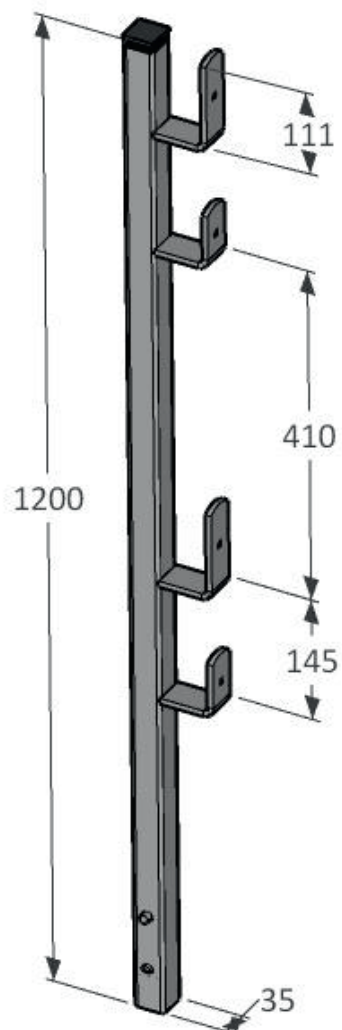
EN 13374-A



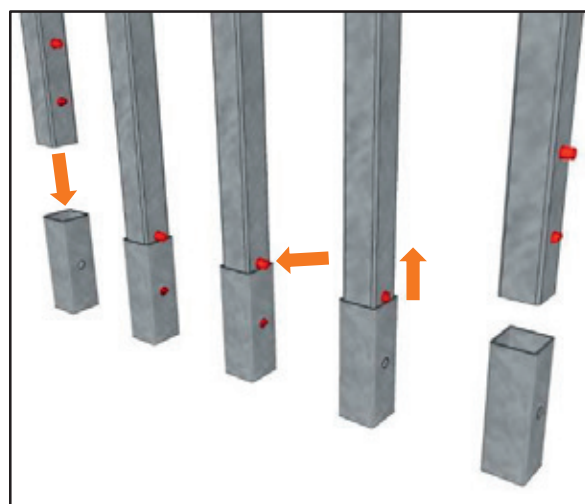
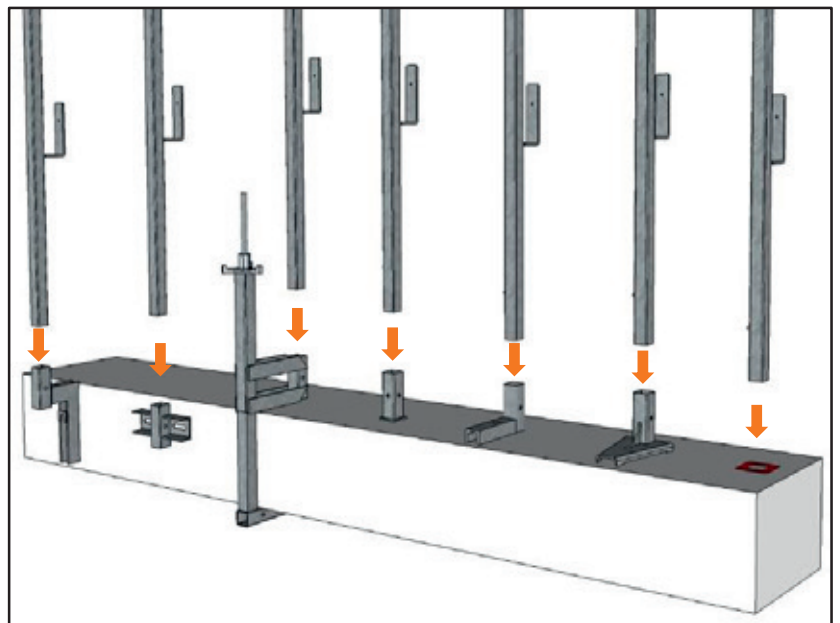
100 pcs



→ 360 kg



Possibilities of Attachment :



[mm]

VT Scandic Slider

Item No.: 50315004

2,4 kg

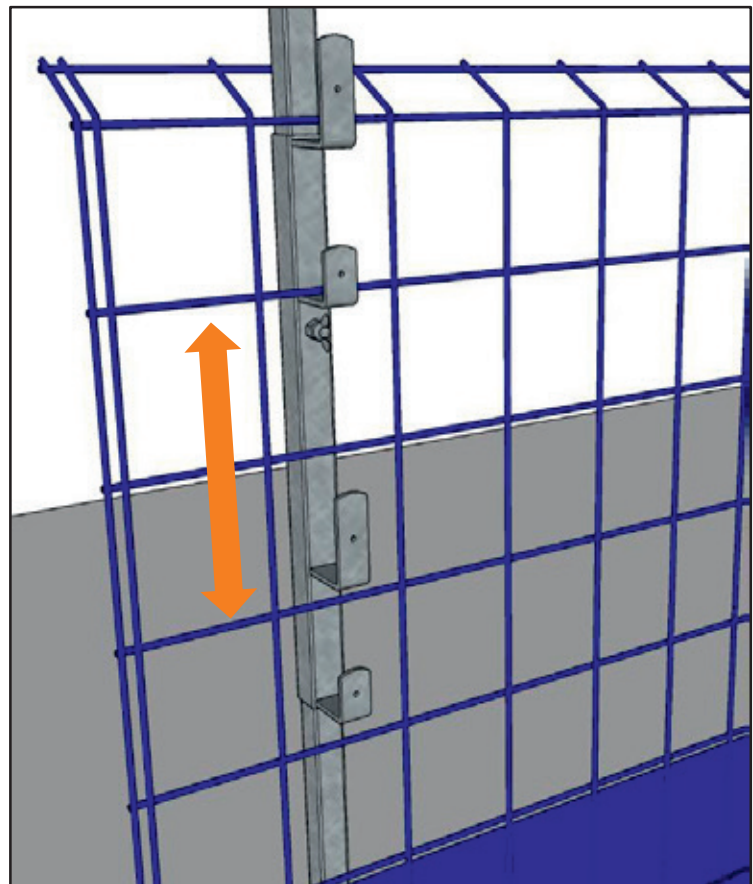
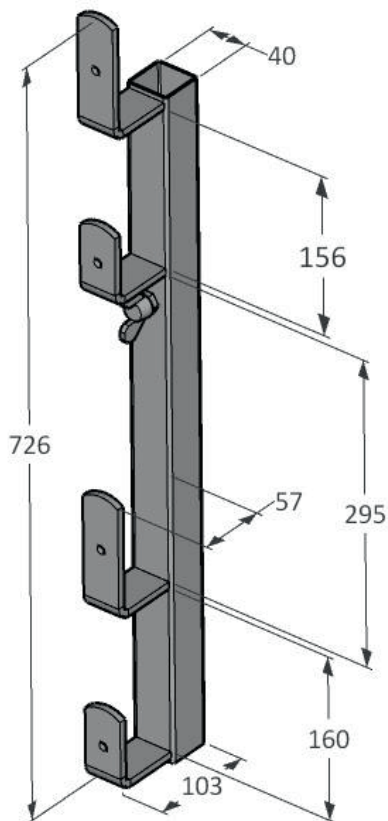
EN 13374-A



250 pcs



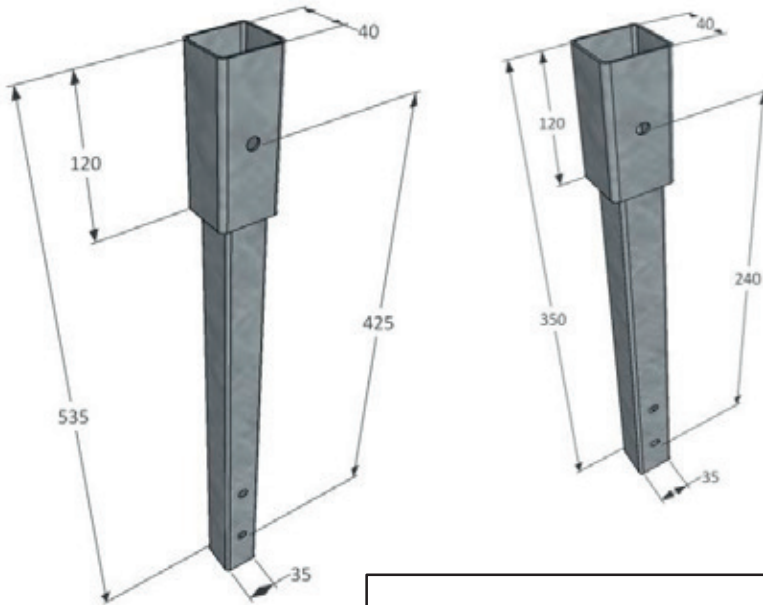
→ 670 kg



← [mm] →

VT Post Extension 240/425

Item No.: 5030240 / 5030425
0,82 kg / 1,13 kg
EN 13374-A



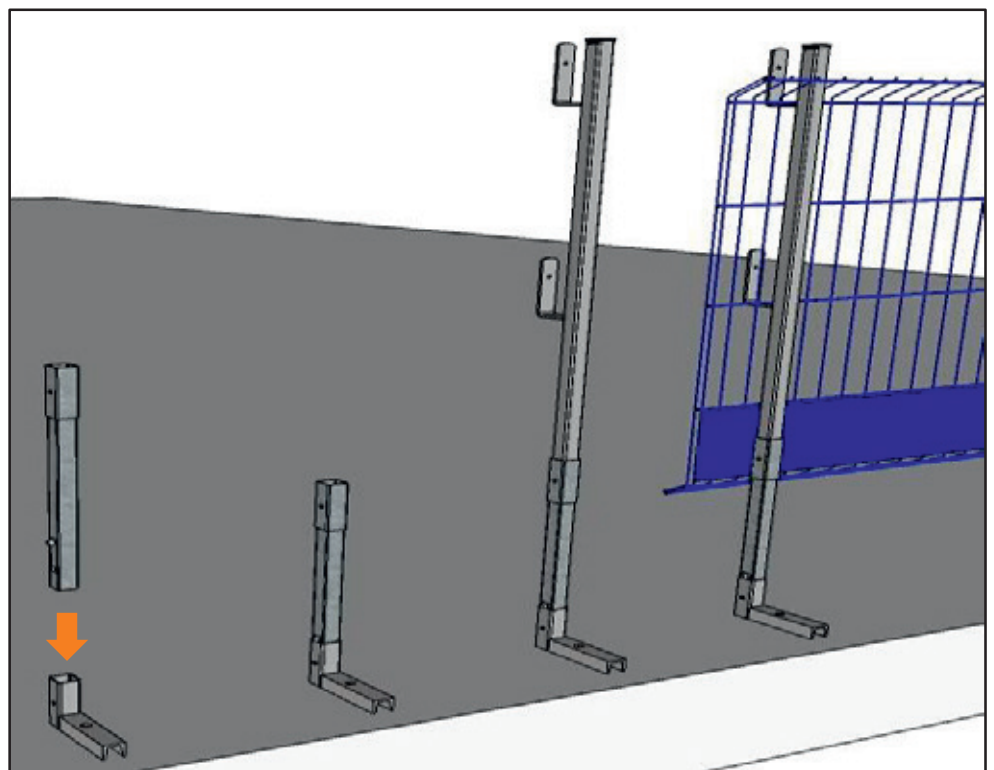
Fits into any post attachment with a receptacle for an Easy Snap.



250 pcs



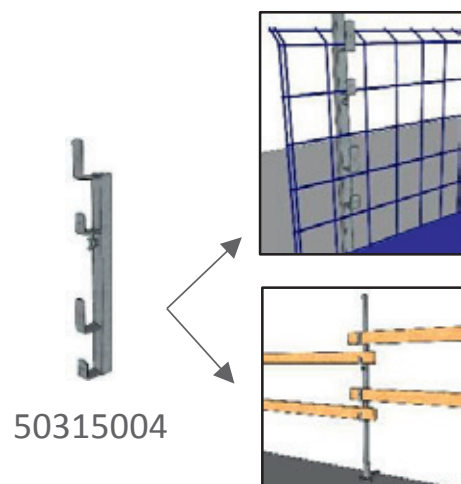
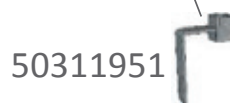
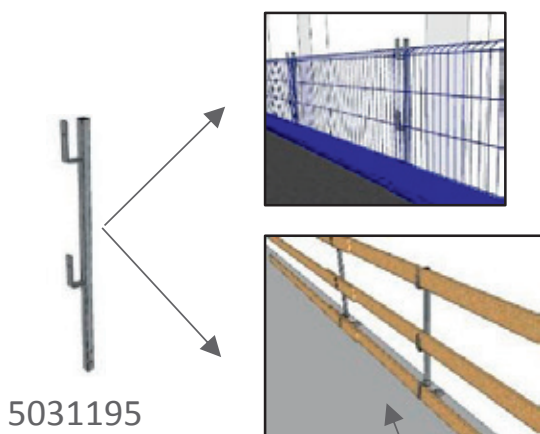
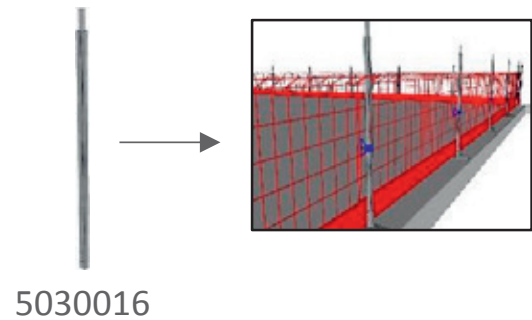
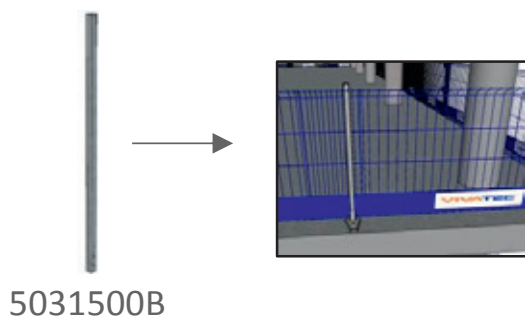
→ 225 kg /
303 kg



← [mm] →

Barrier / Lumber

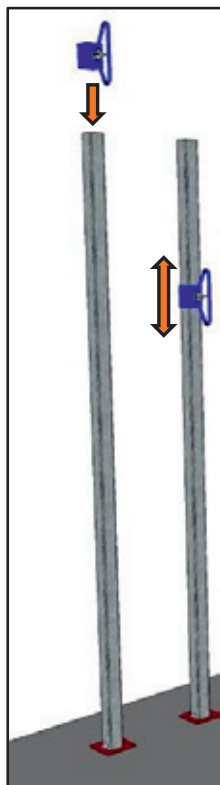
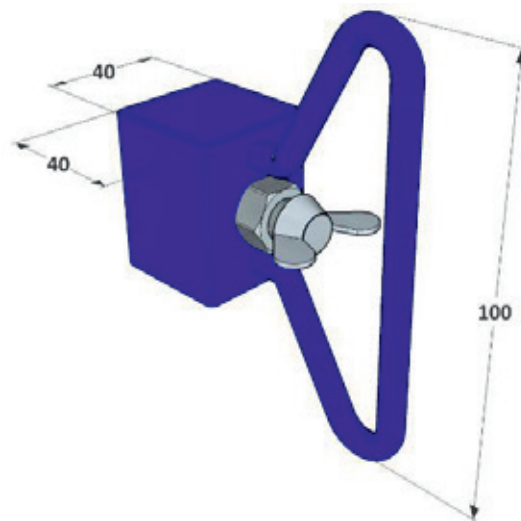
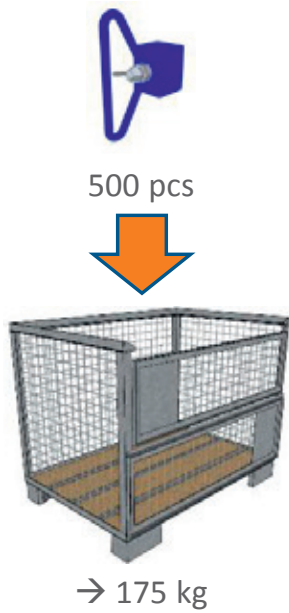
| Item | Barrier | Lumber |
|--------------------------------|---------|--------|
| VT Post 1500 Basic 5031500B | ✓ | ✗ |
| VT Post French 5030016 | ✓ | ✗ |
| VT Post 1195 Timber 5031195 | ✓ | ✓ |
| Toeboard Holder 50311951 | ✗ | ✓ |
| VT Scandic Slider 50315004 | ✓ | ✓ |



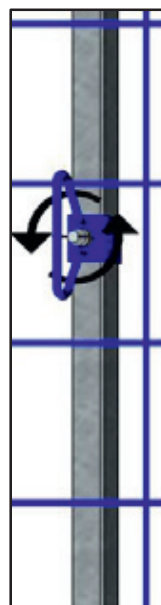
← [mm] →

VT Slider

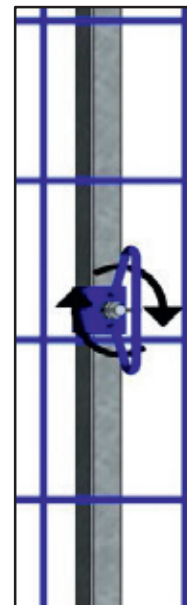
Item No.: 50315008
0,21 kg
EN 13374-A



Position 1



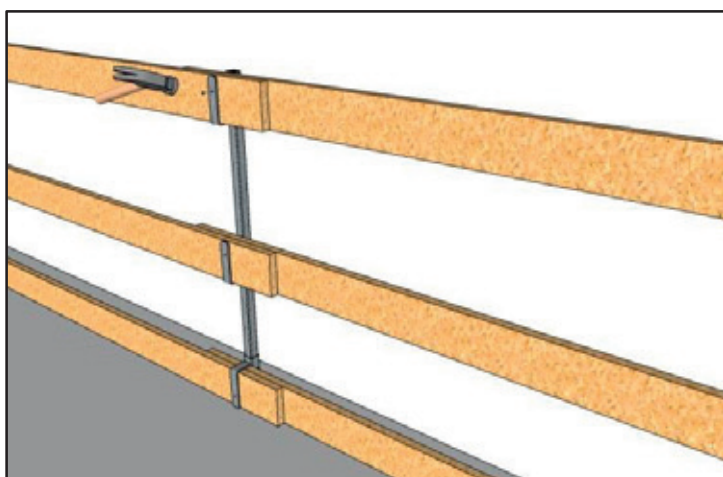
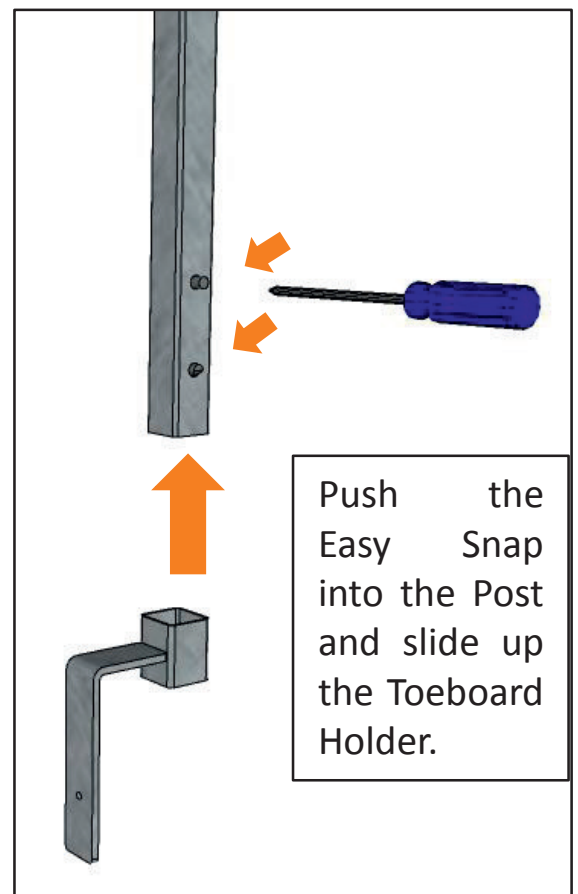
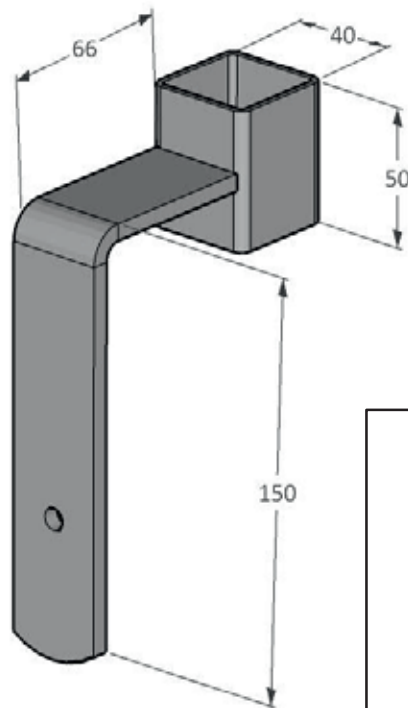
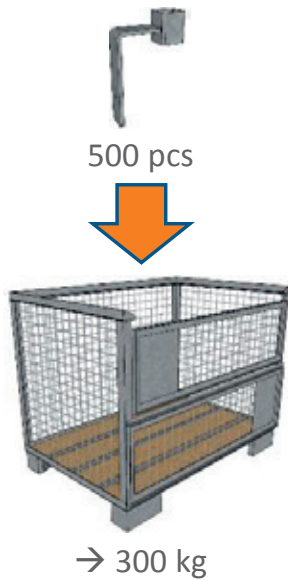
Position 2



[mm]

Toeboard Holder

Item No.: 50311951
0,46 kg
EN 13374-A

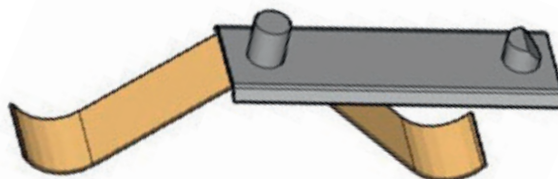


← [mm] →

Changing damaged Easy Snap

All Vivatec posts are equipped with an Easy Snap, which fixes the post in different attachments. If the Easy Snap is damaged, it can be easily replaced.

1. With a screwdriver, the bolts are pressed into the posts.
2. Then the sheet metal of the Easy Snap can be gripped with an elongated pliers.
3. Now, while the bolts are pressed, pull the Easy Snap out of the post.
4. Now grab the new Easy Snap with the pliers on the plate and guide it with the spring forward into the post.
5. Now use the screwdriver to hold the bolts down through the drill holes until both bolts are in position below the drill holes.
6. Release screwdriver from bolt, open pliers and pull out.



Attachments



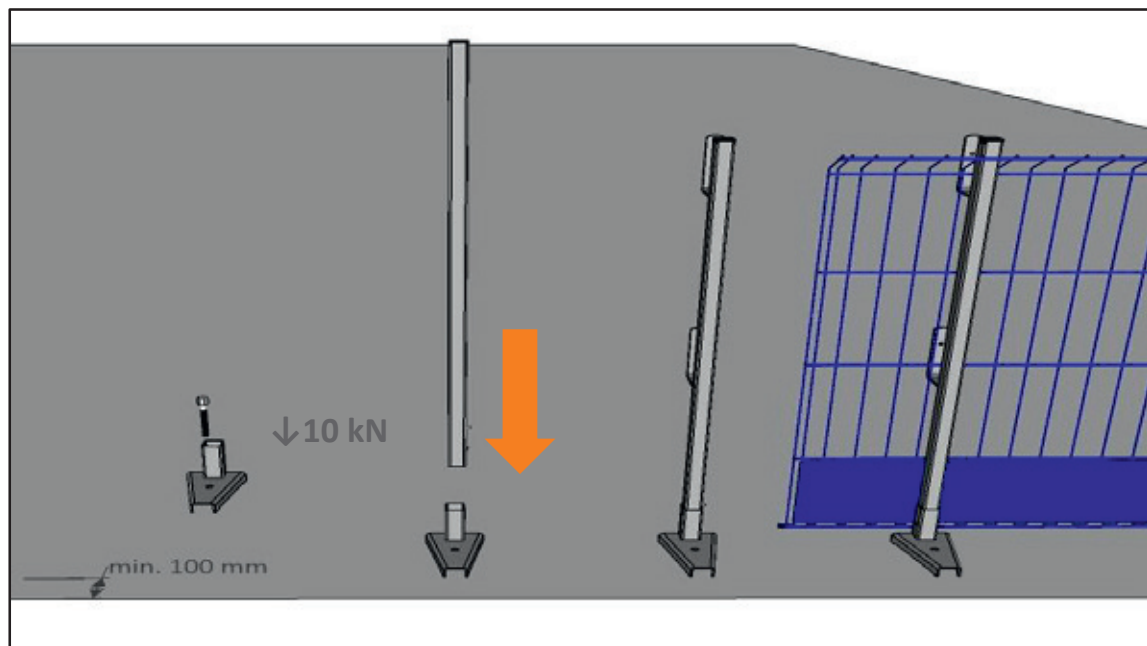
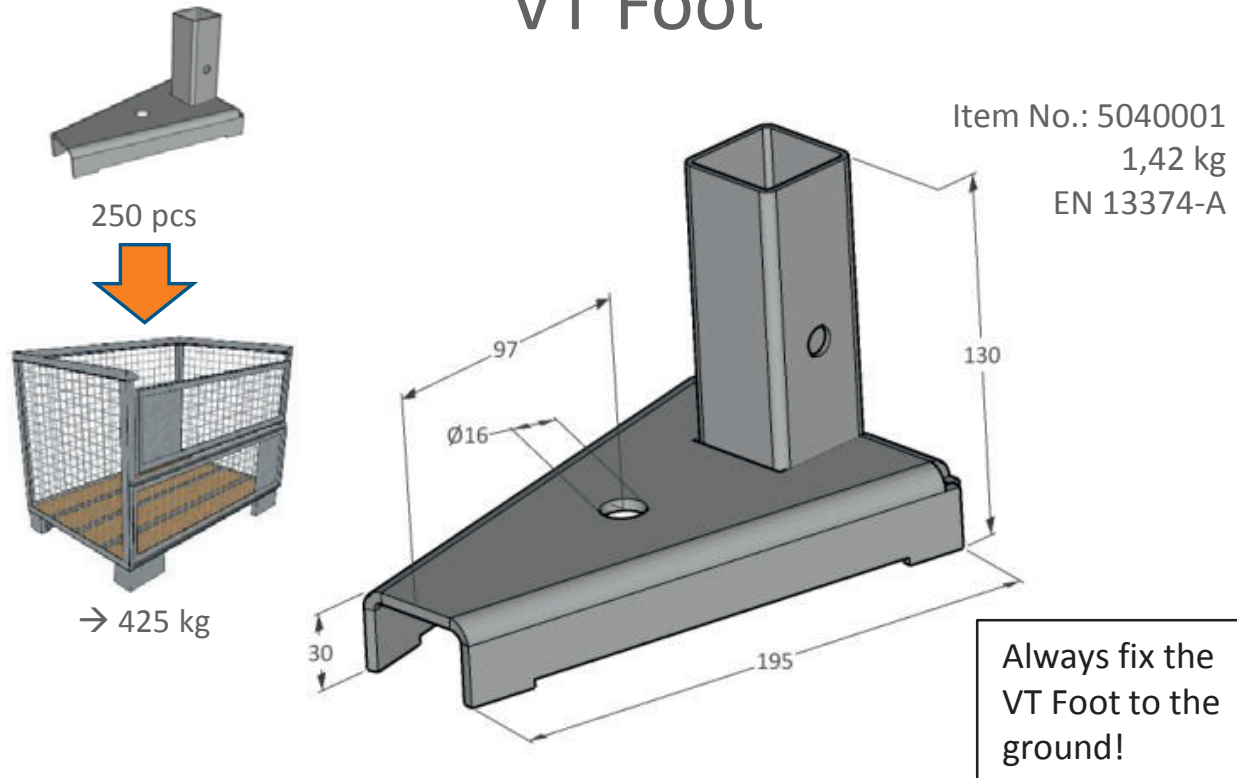
When installing edge protection elements, it is essential to ensure safety. The maximum load of individual components should always be kept in mind.

The attachments are to be chosen so that a collapse of the construction can almost certainly be excluded.

In addition, special attention must be paid to individual safety before any use.

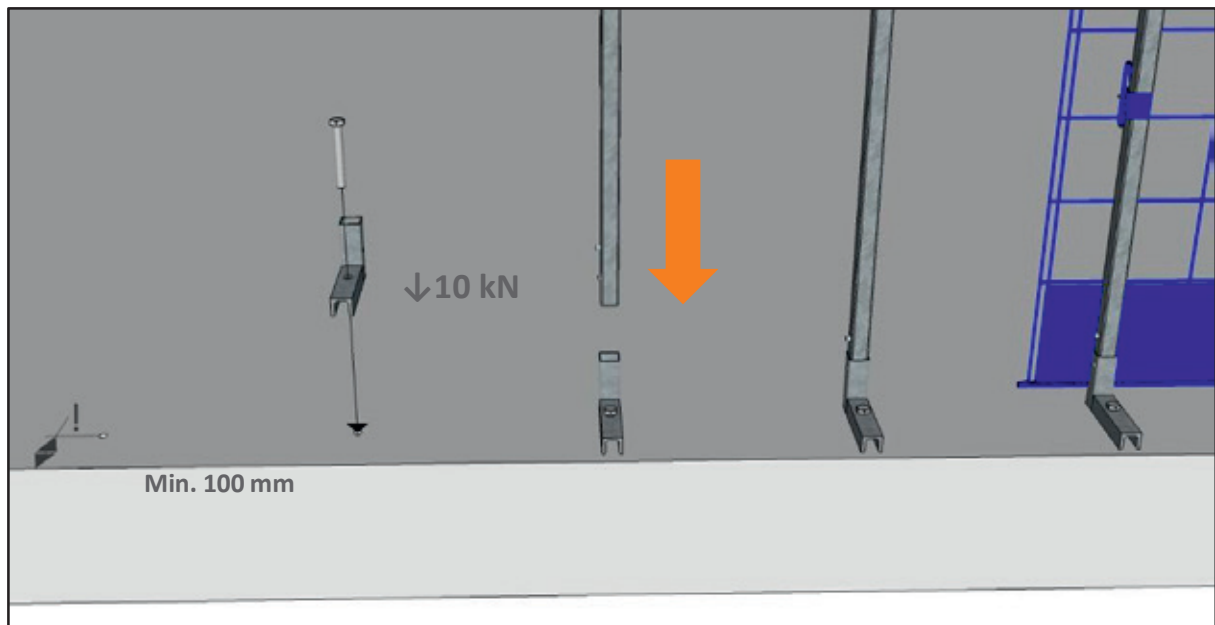
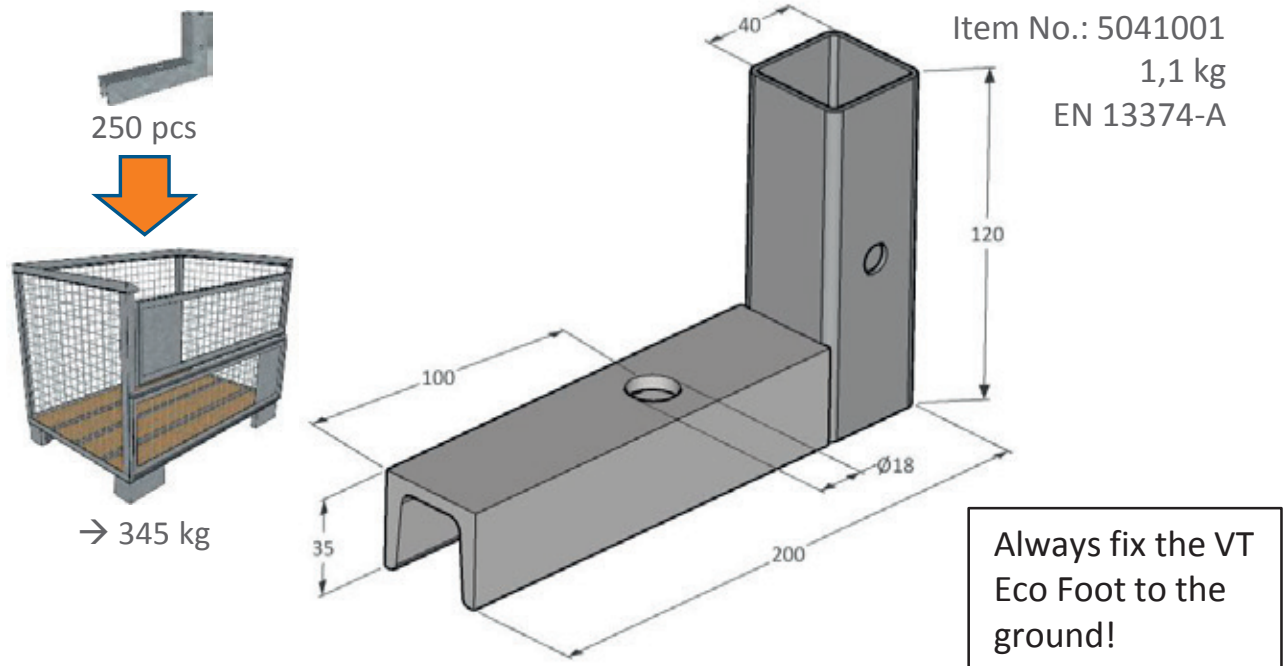
Statutory regulations and specifications must be observed at all time.

VT Foot



← [mm] →

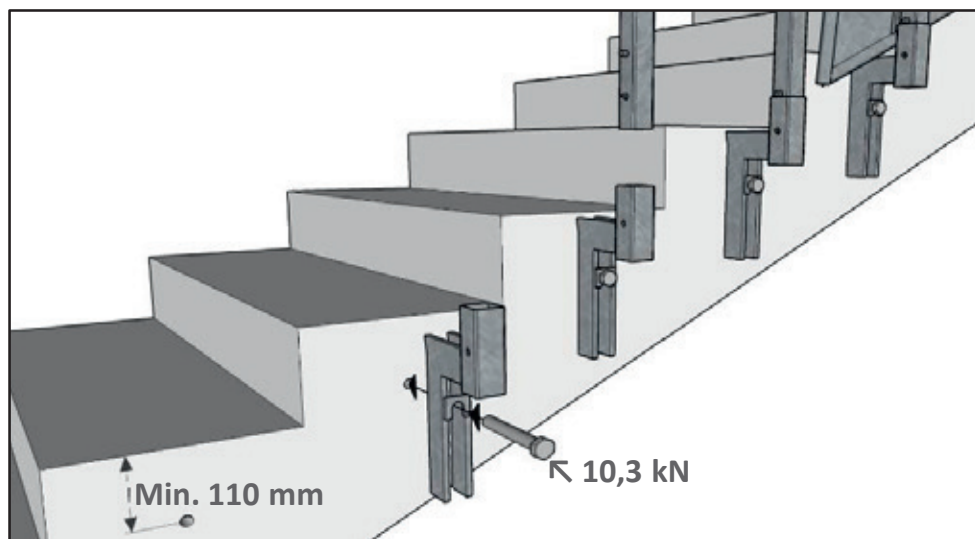
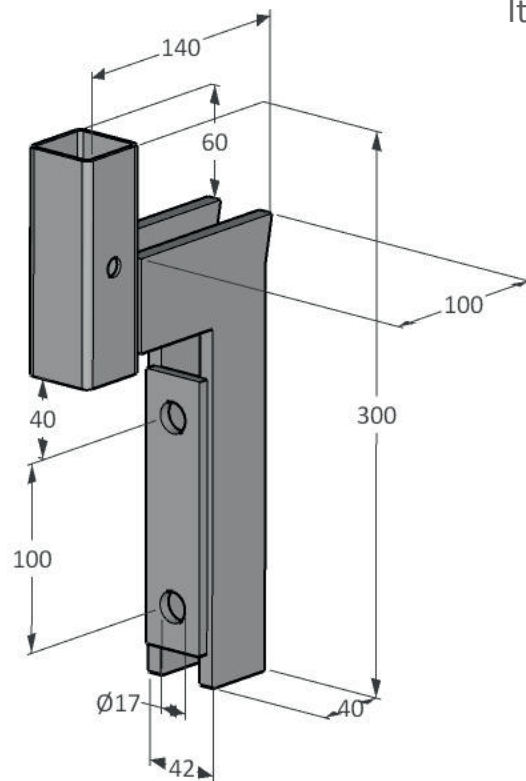
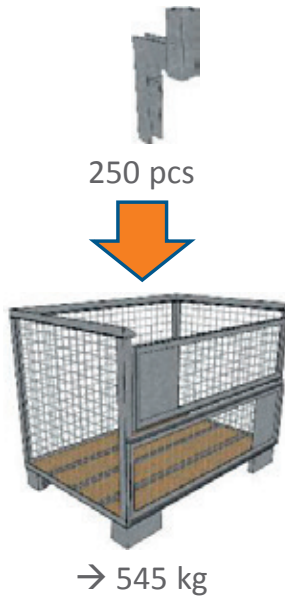
VT Eco Foot



← [mm] →

VT Edge 100

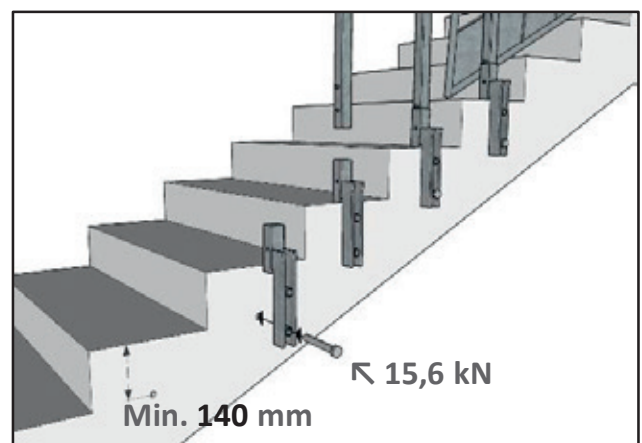
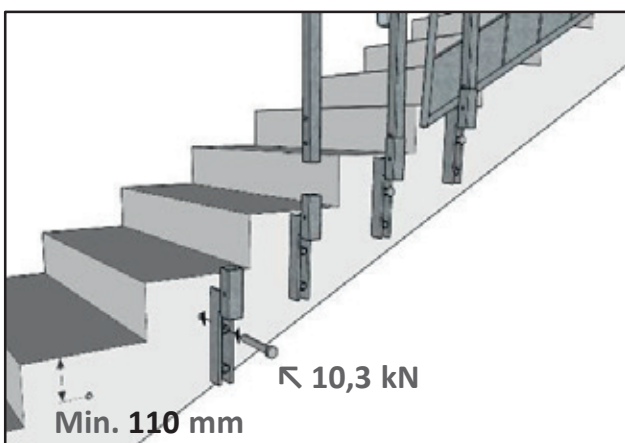
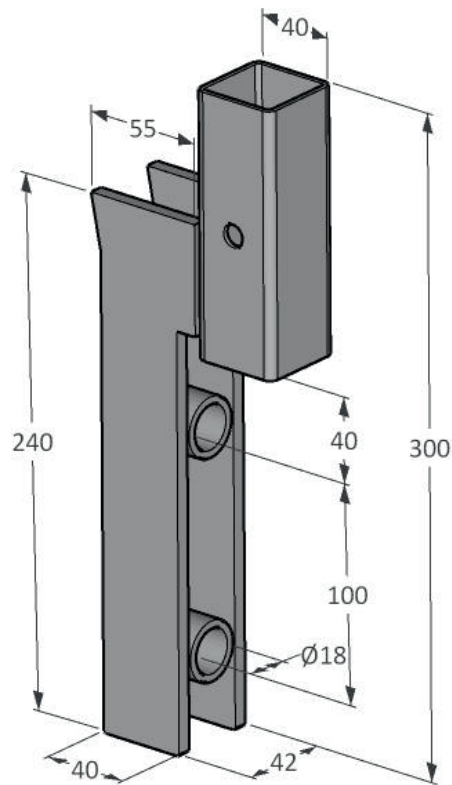
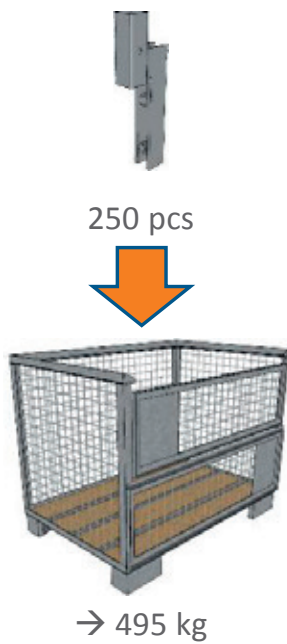
Item No.: 5040005
1,9 kg
EN 13374-A



← [mm] →

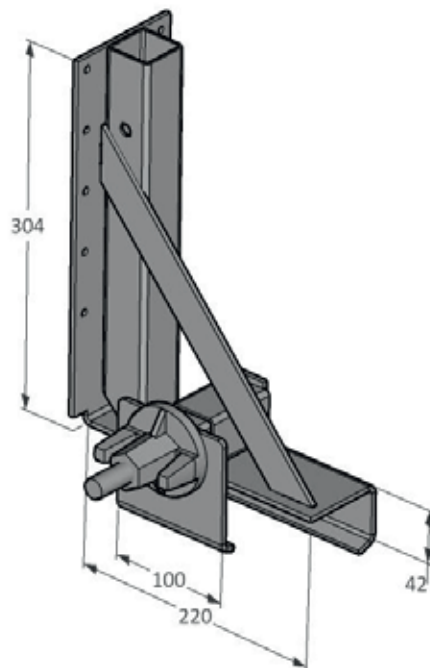
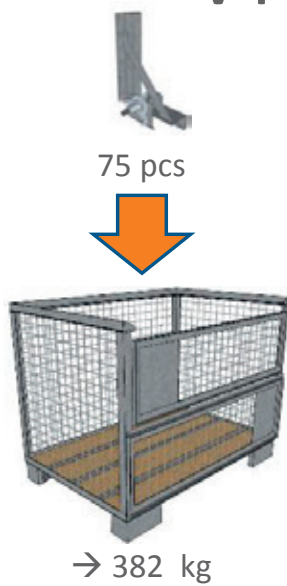
VT Edge French 55

Item No.: 50400052
1,7 kg
EN 13374-A

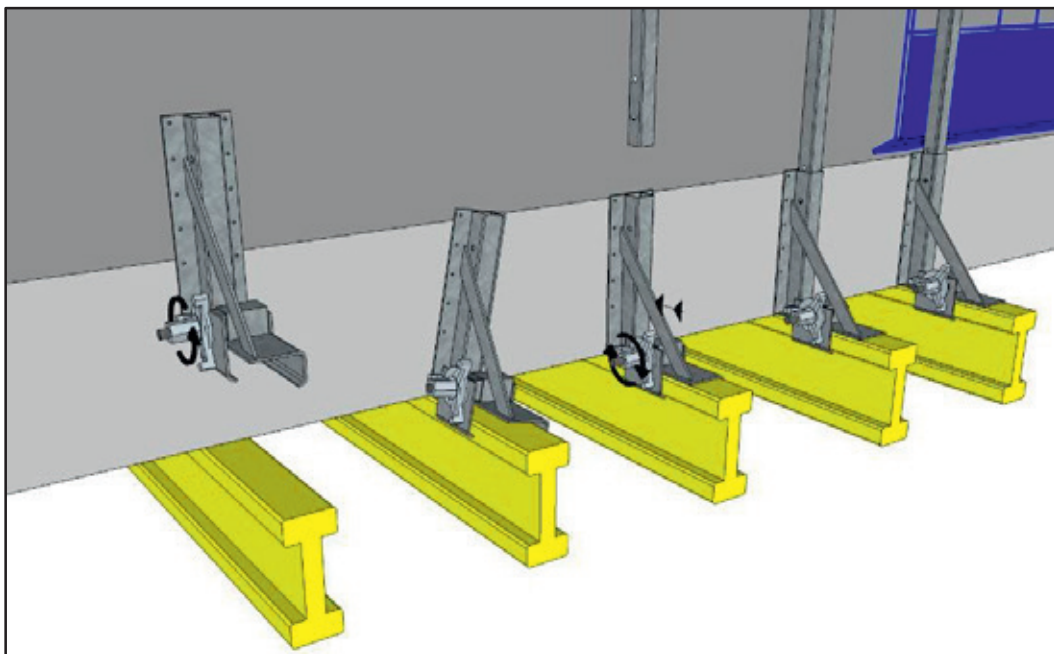


← [mm] →

VT Timber Beam Clamp



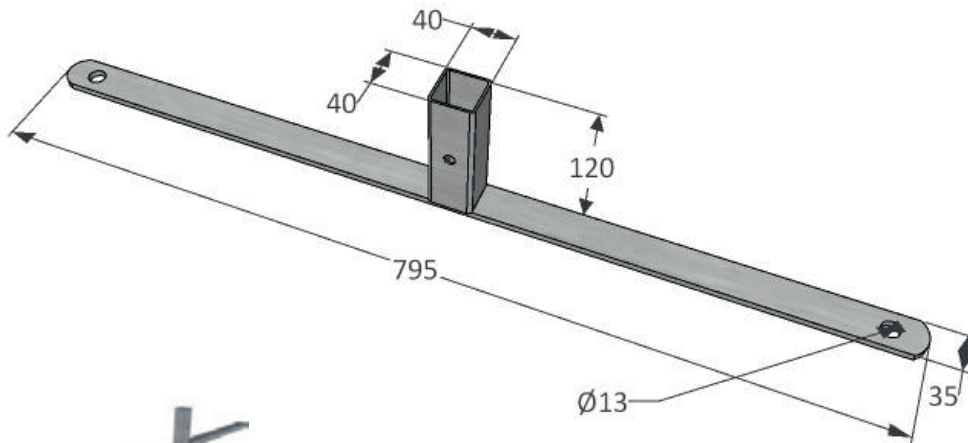
Item No.: 5041003
4,15 kg
EN 13374-A



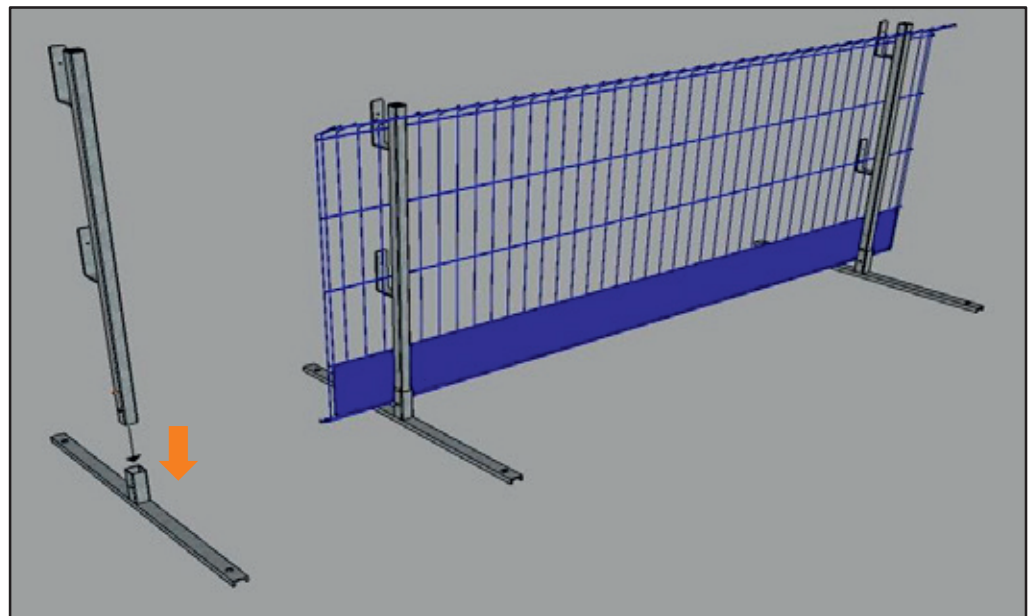
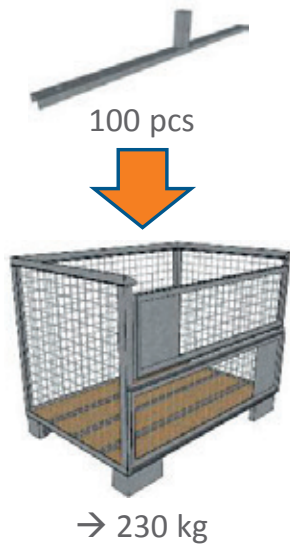
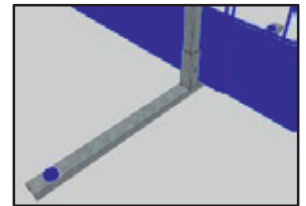

← [mm] →

VT Ground

Item No.: 5040013
1,6 kg

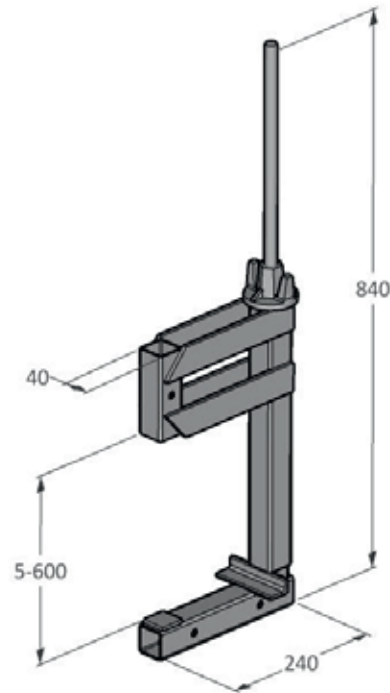
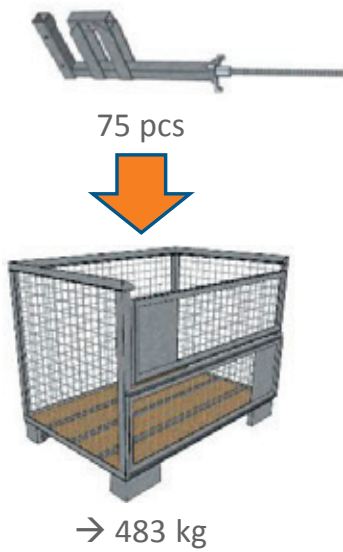


Always fix in the ground when there is wind!



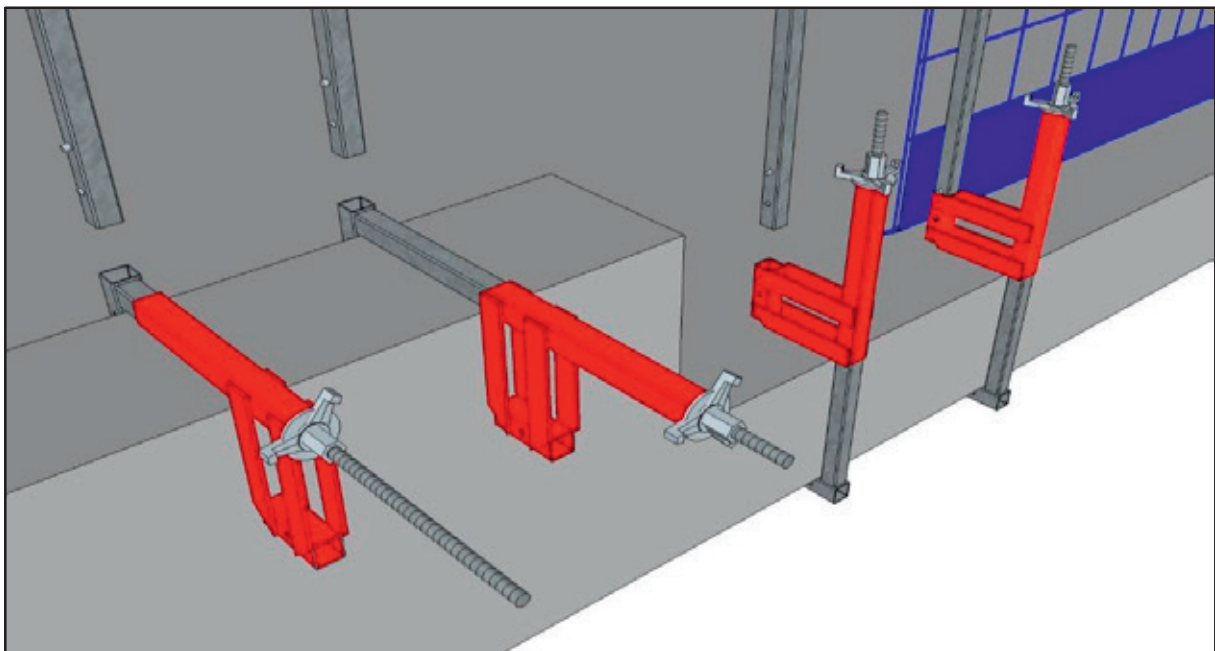
← [mm] →

VT Clamp XL 60



Item No.: 50400028
5,5 kg
EN 13374-A

Disengage the nut and move the runner to the desired position, then fix the nut with the hammer.



← [mm] →

VT Clamp 50

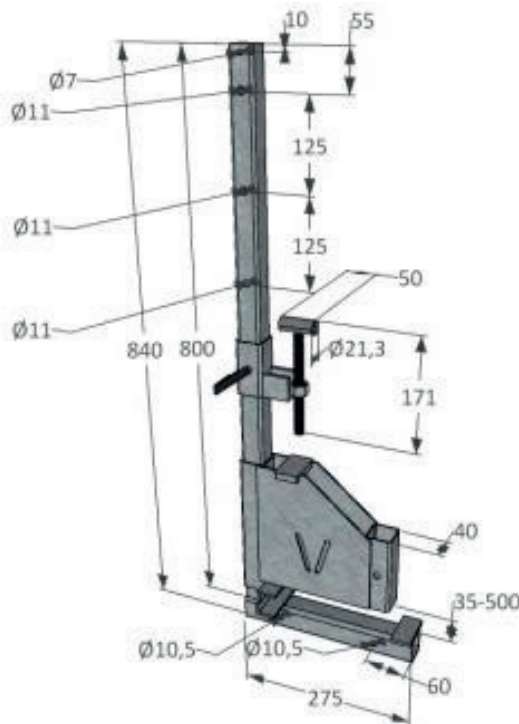
Item No.: 1100000006
6,23 kg
EN 13374-A



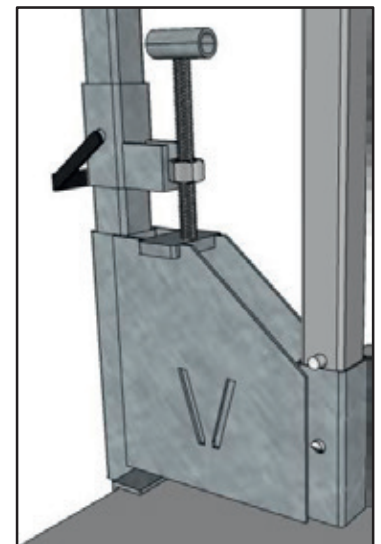
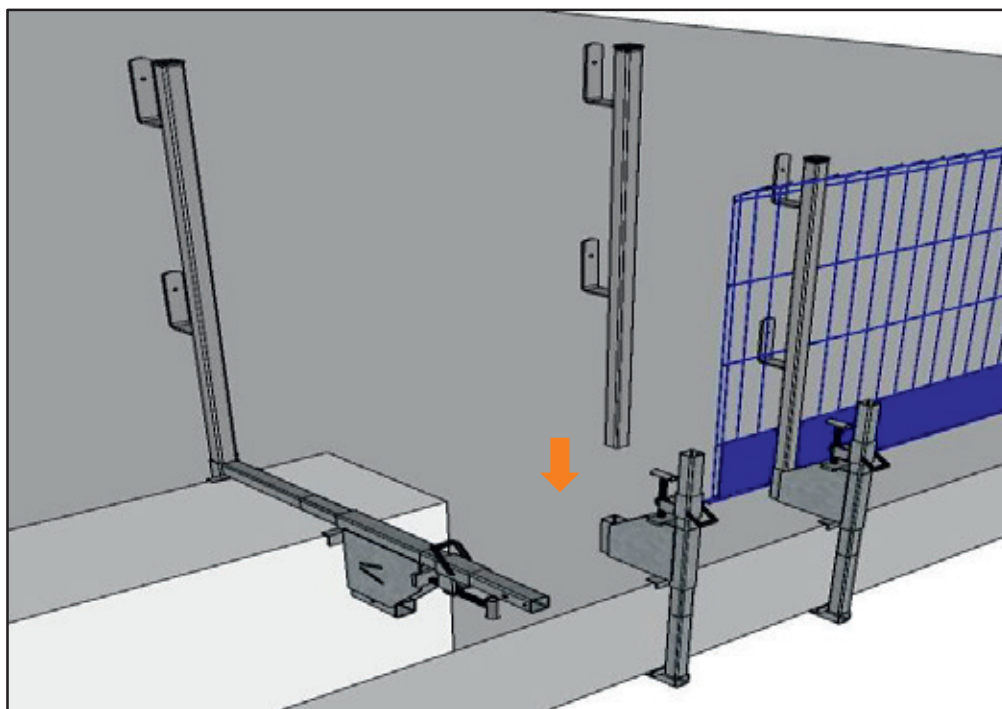
75 pcs



→ 583 kg



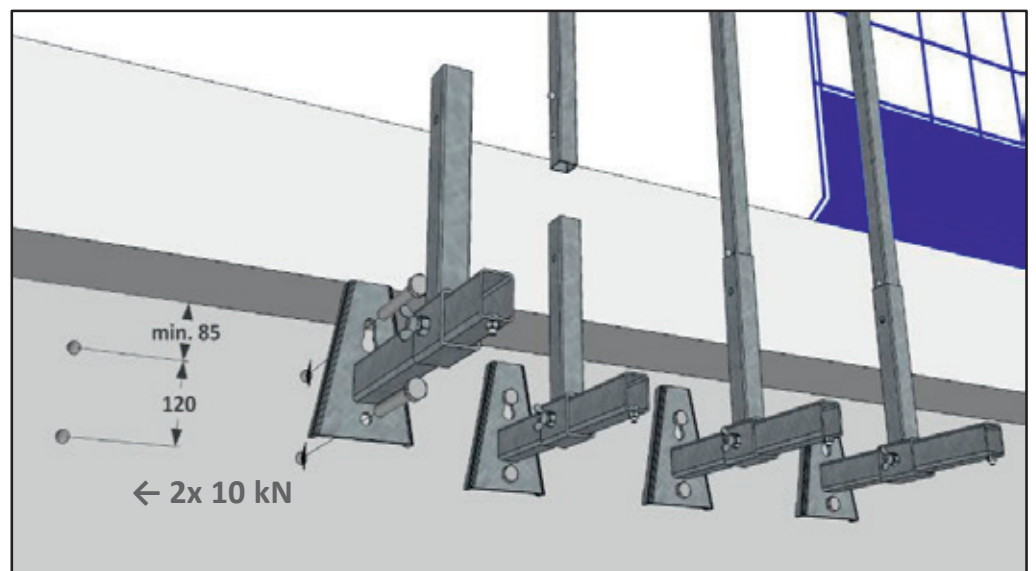
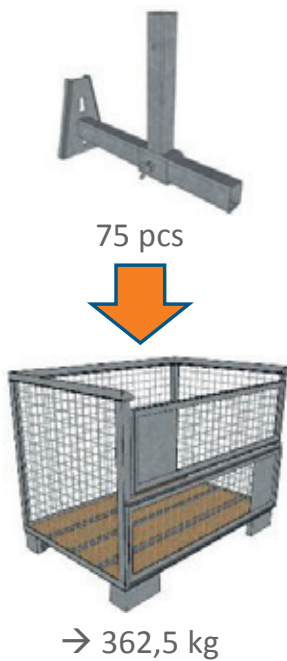
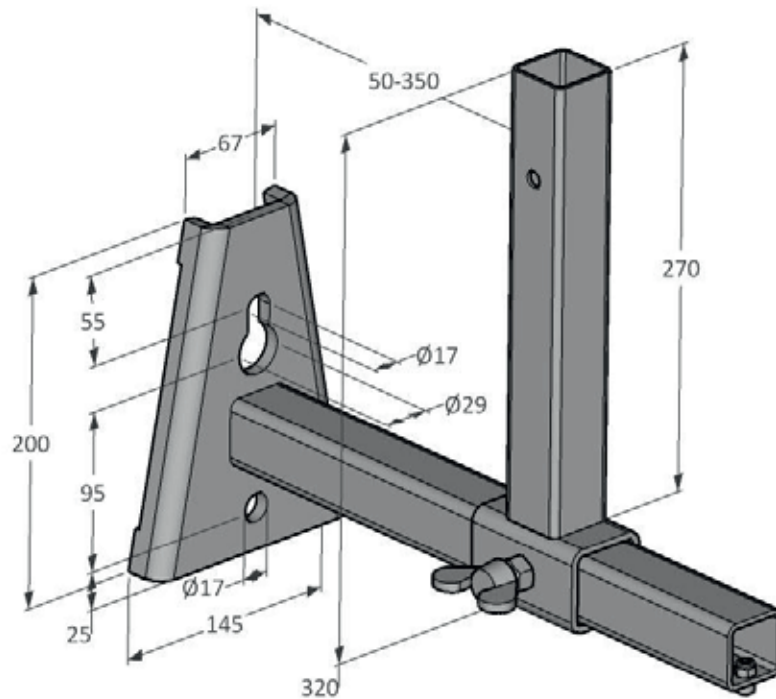
Disengage the clip and fasten the thread holder to the desired hole, then move the runner and fix the thread with a hammer.



← [mm] →

VT Steelweb

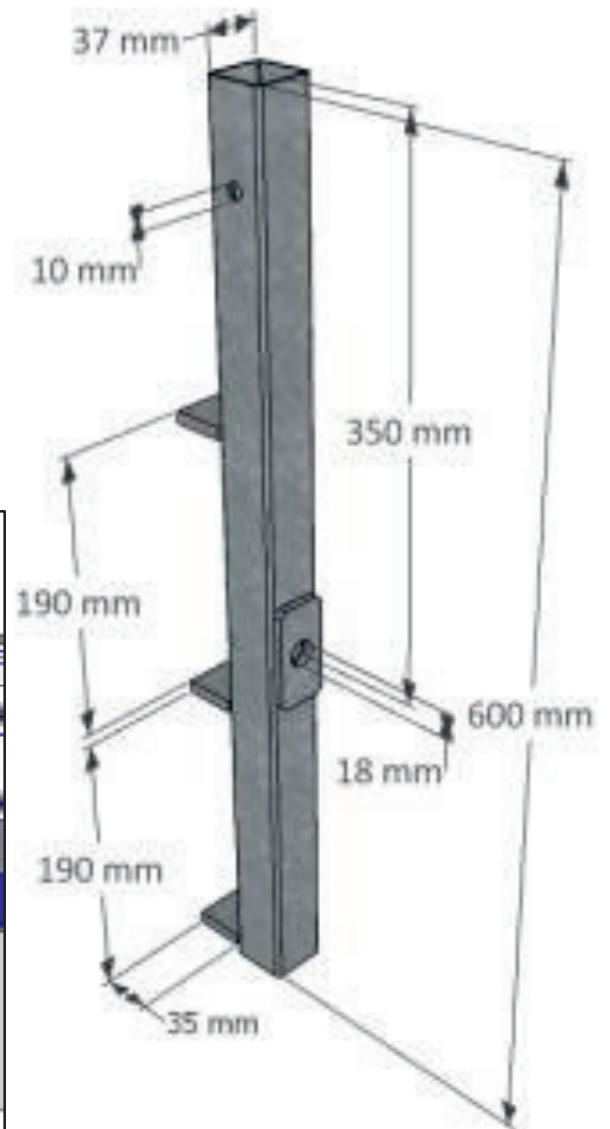
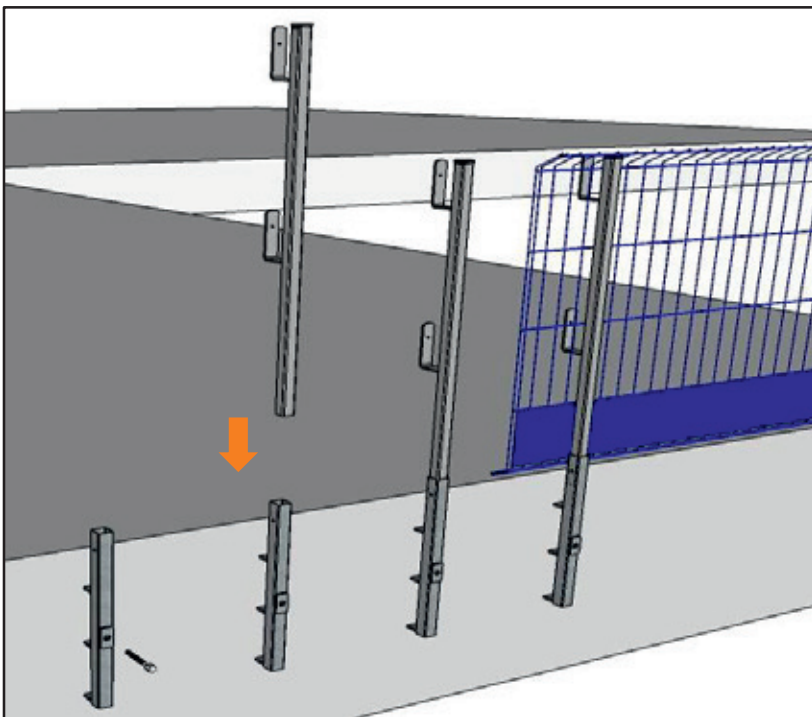
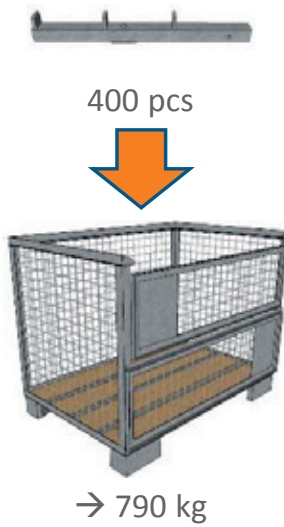
Item No.: 5040009
3,9 kg
EN 13374-A



← [mm] →

VT Frontfix

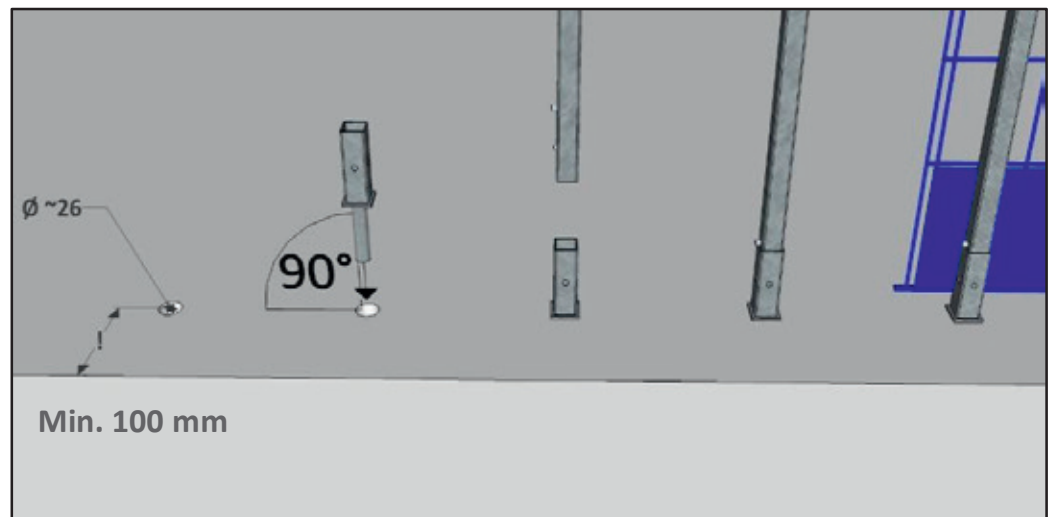
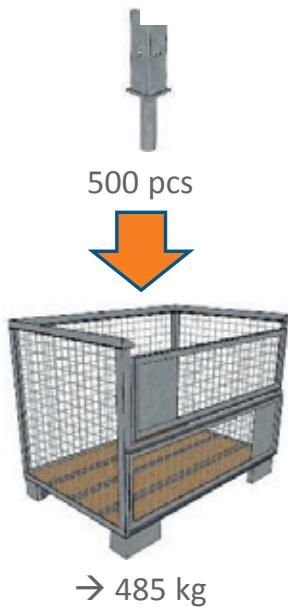
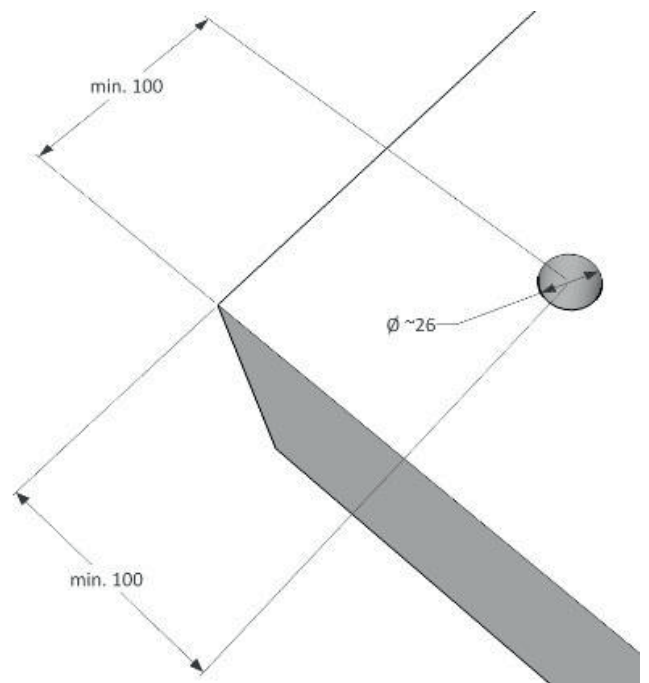
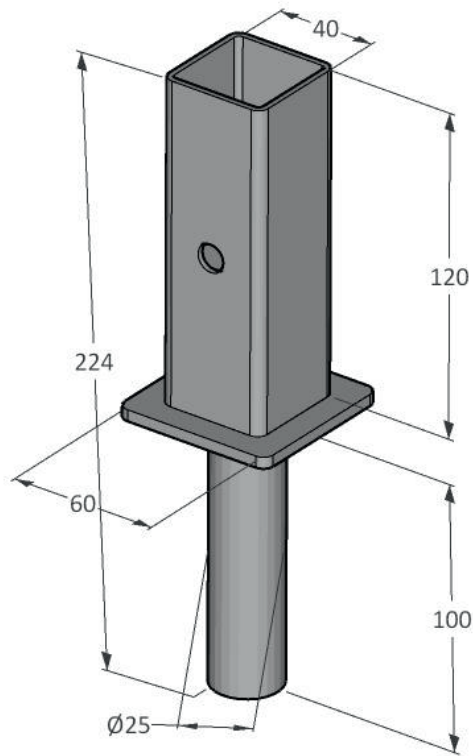
Item No.: 5040018
1,8 kg
EN 13374-A



← [mm] →

VT Adapter 25

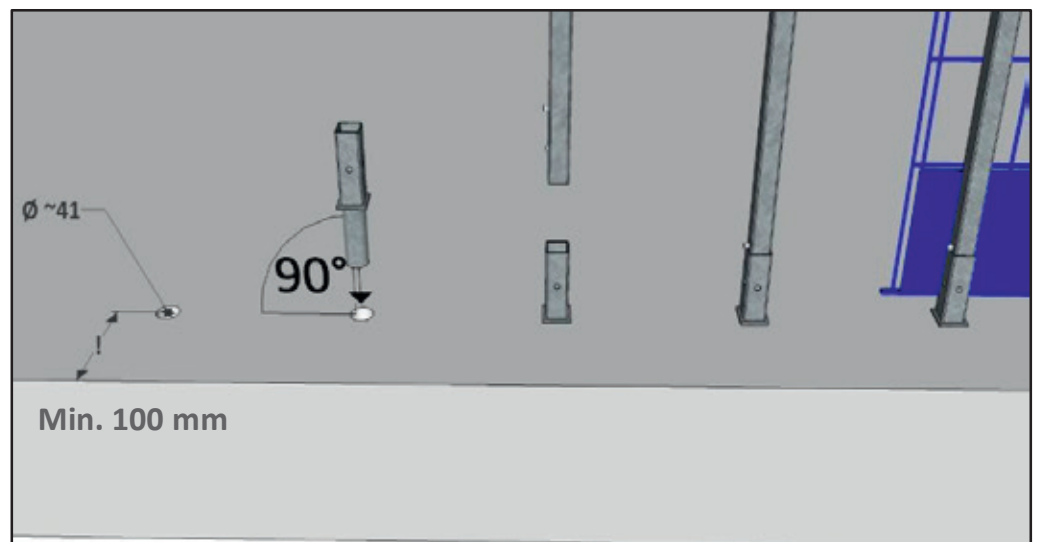
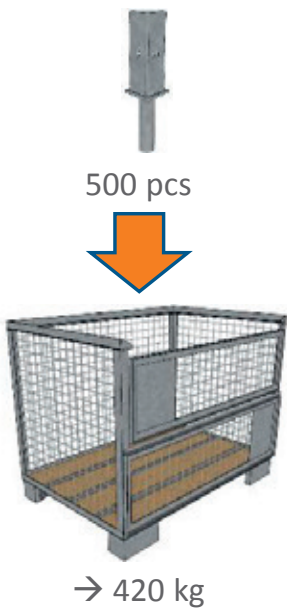
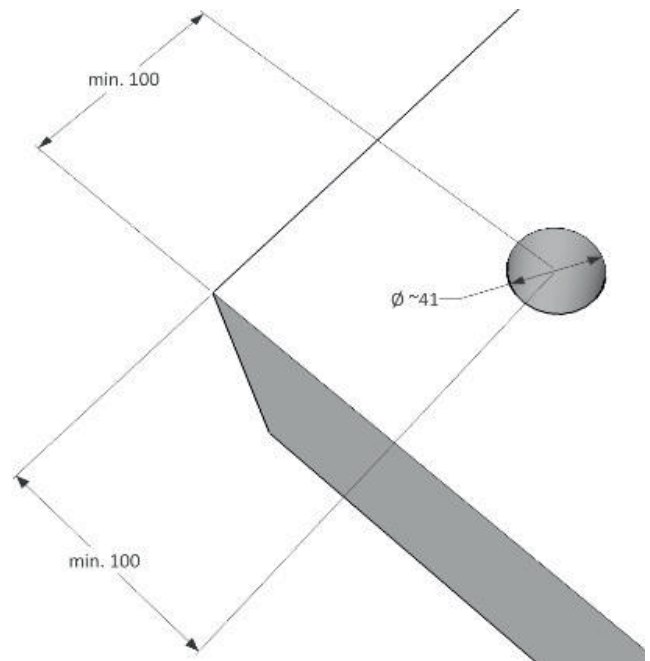
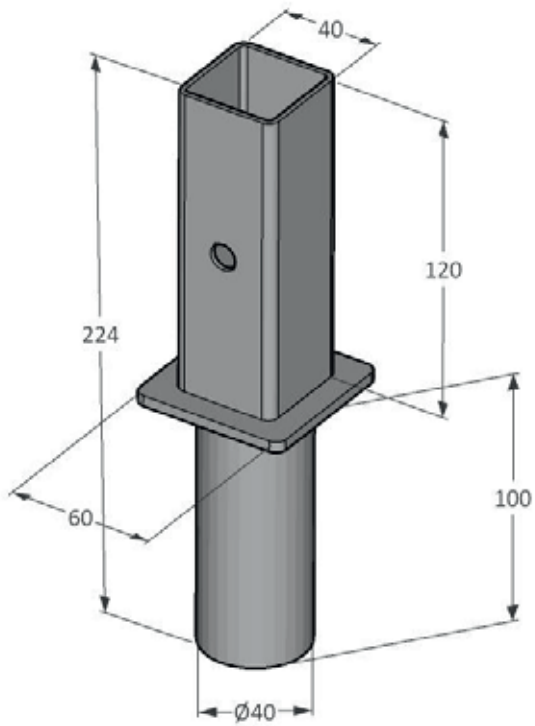
Item No.: 5040016
0,83 kg



← [mm] →

VT Adapter 40

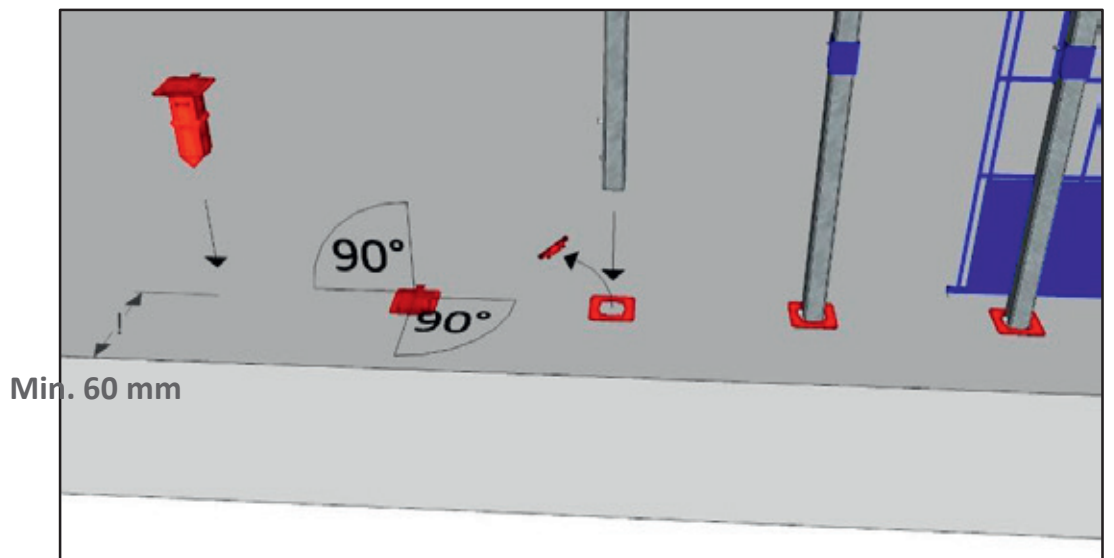
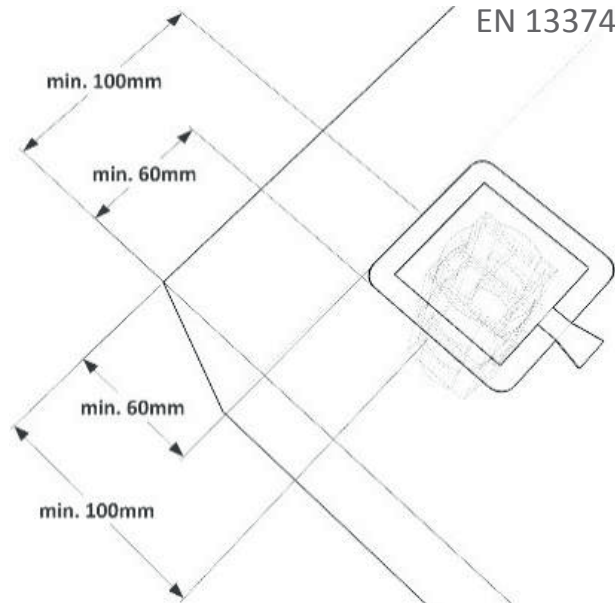
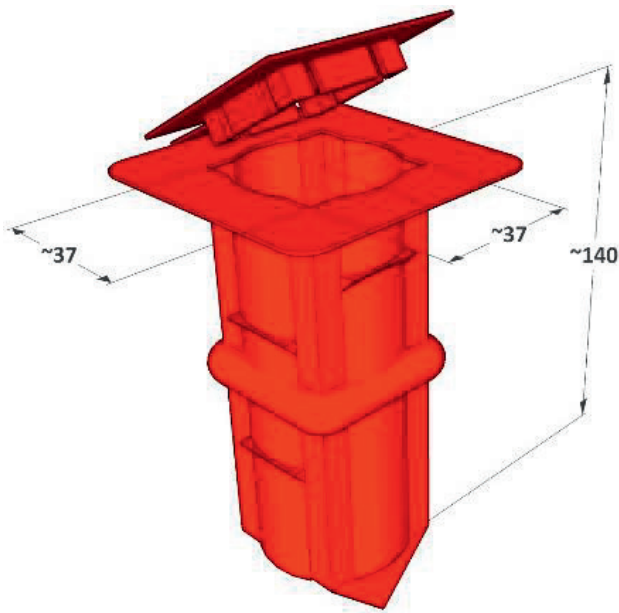
Item No.: 5040017
0,7 kg



← [mm] →

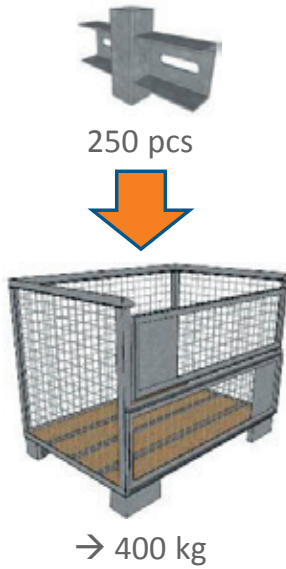
VT Cast In

Item No.: 5040011
0,05 kg
EN 13374 A

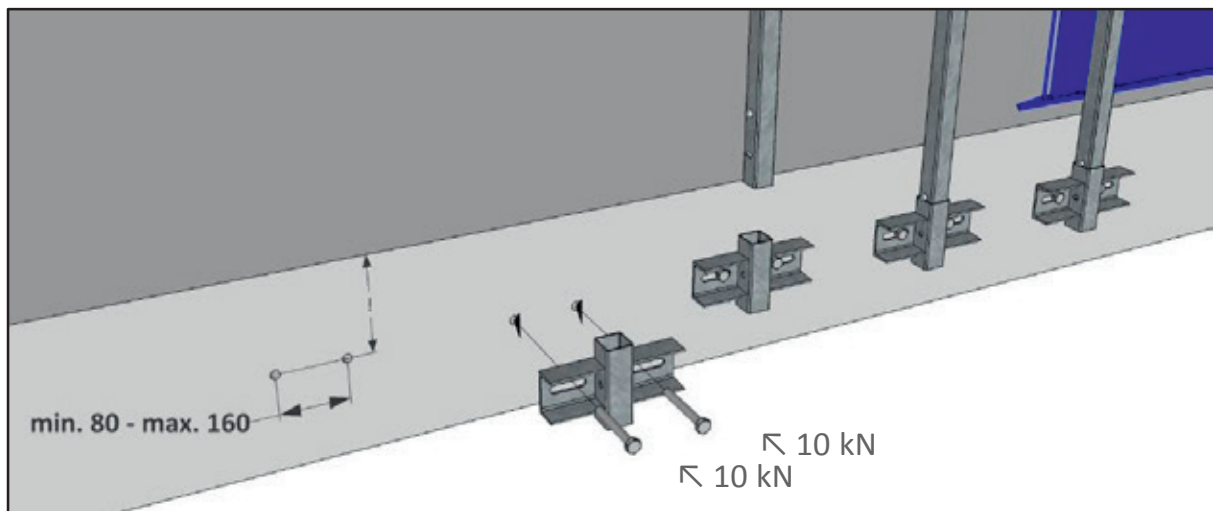
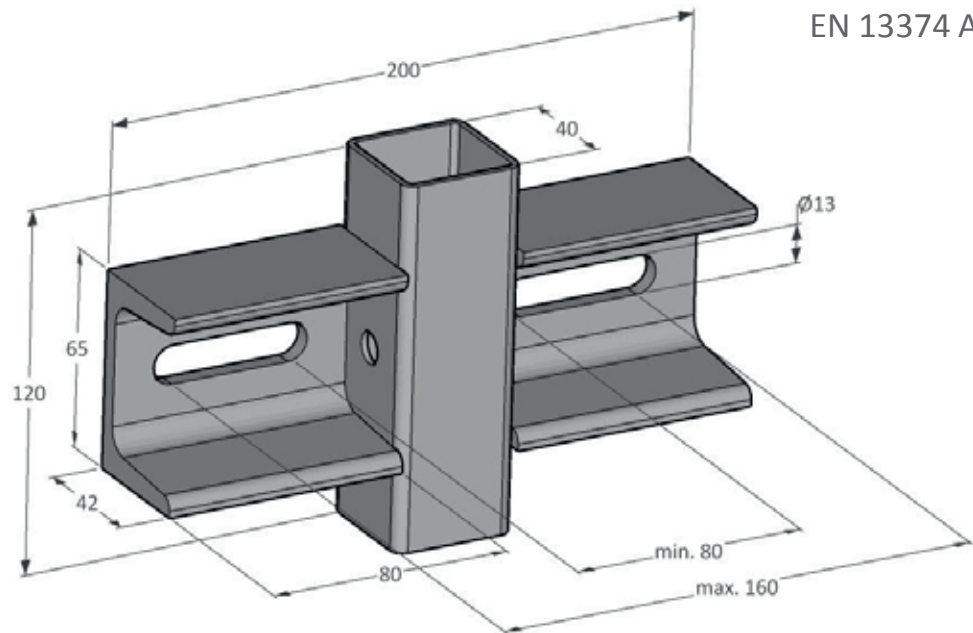


← [mm] →

VT Balcony Attachment



Item No.: 5040023
1,32 kg
EN 13374 A



← [mm] →

VT Slabstopfix

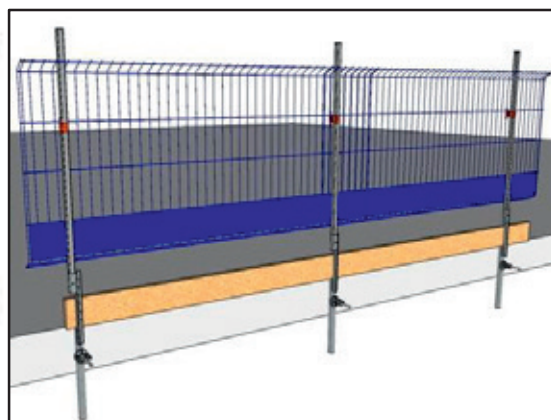
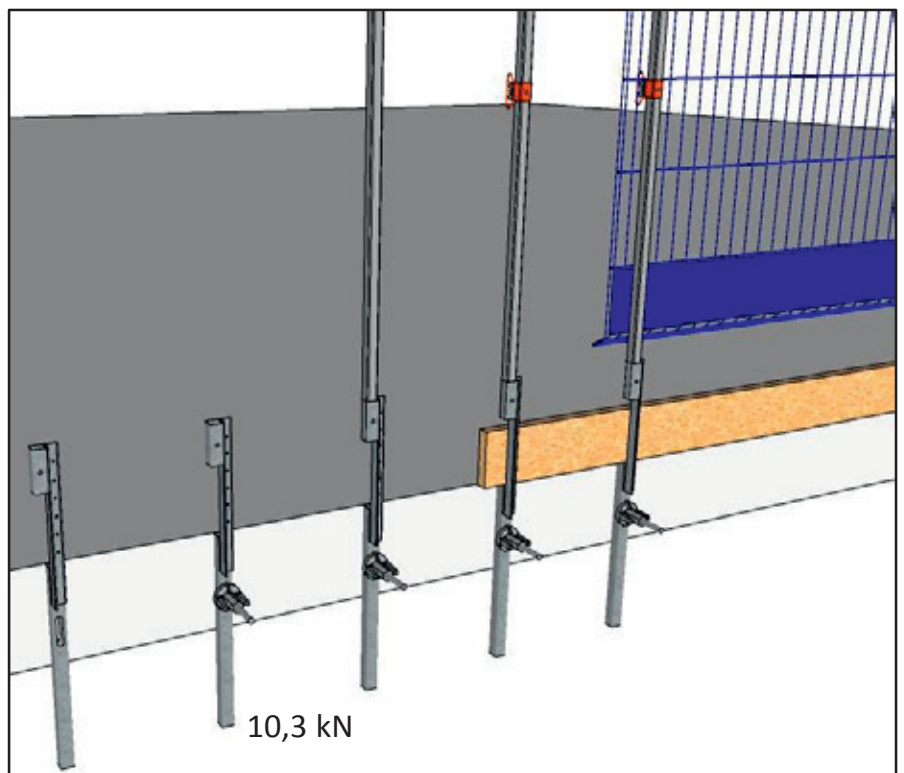
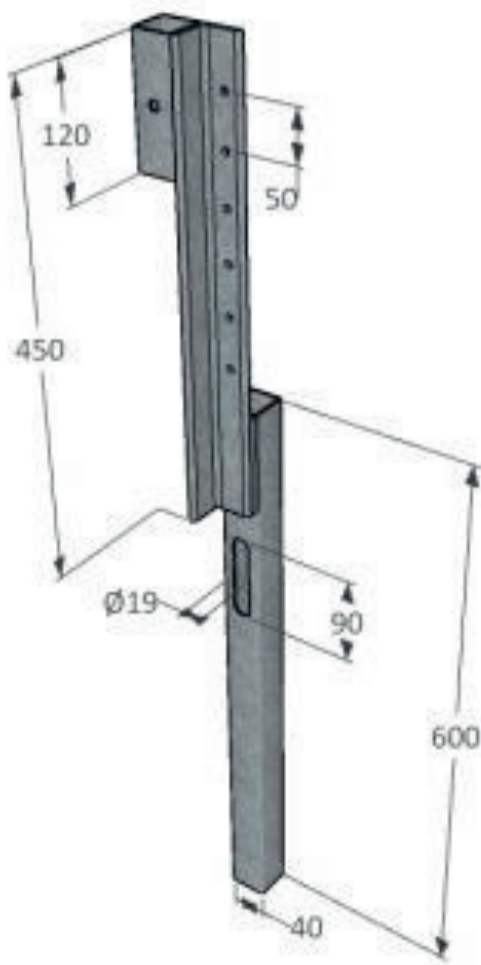
Item No.: 5040027
2,8 kg
EN 13374-A



150 pcs

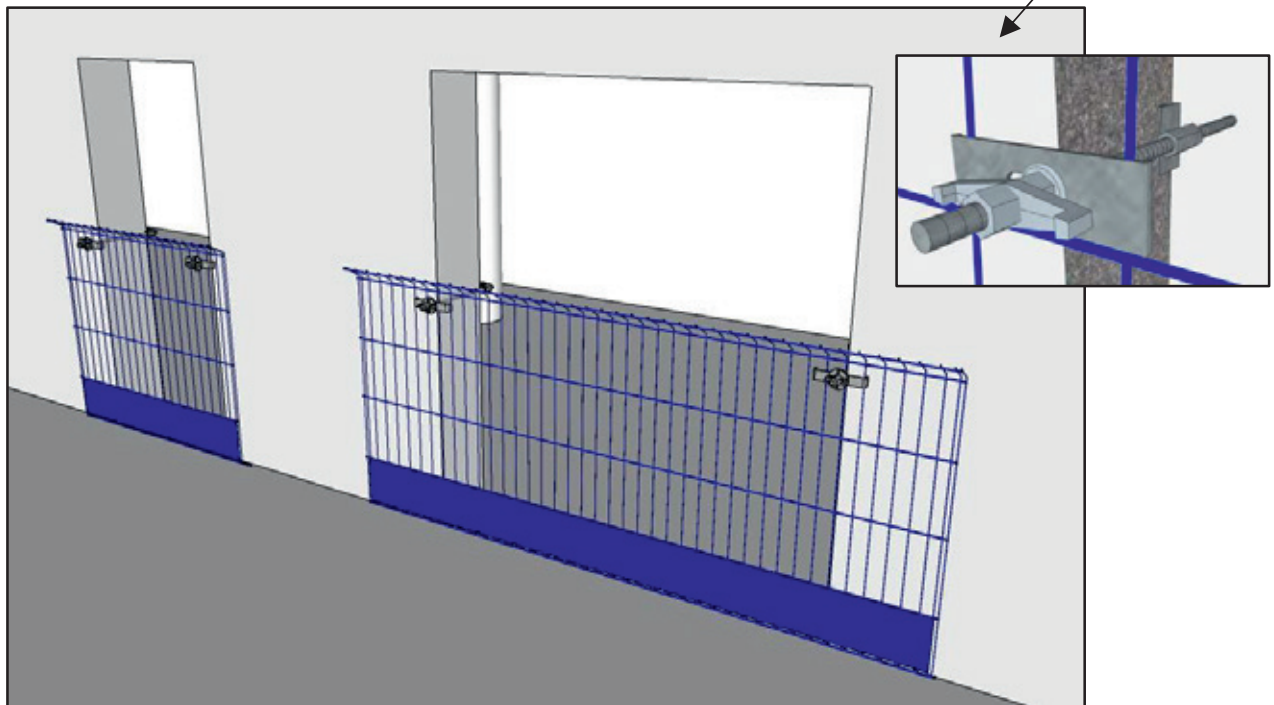
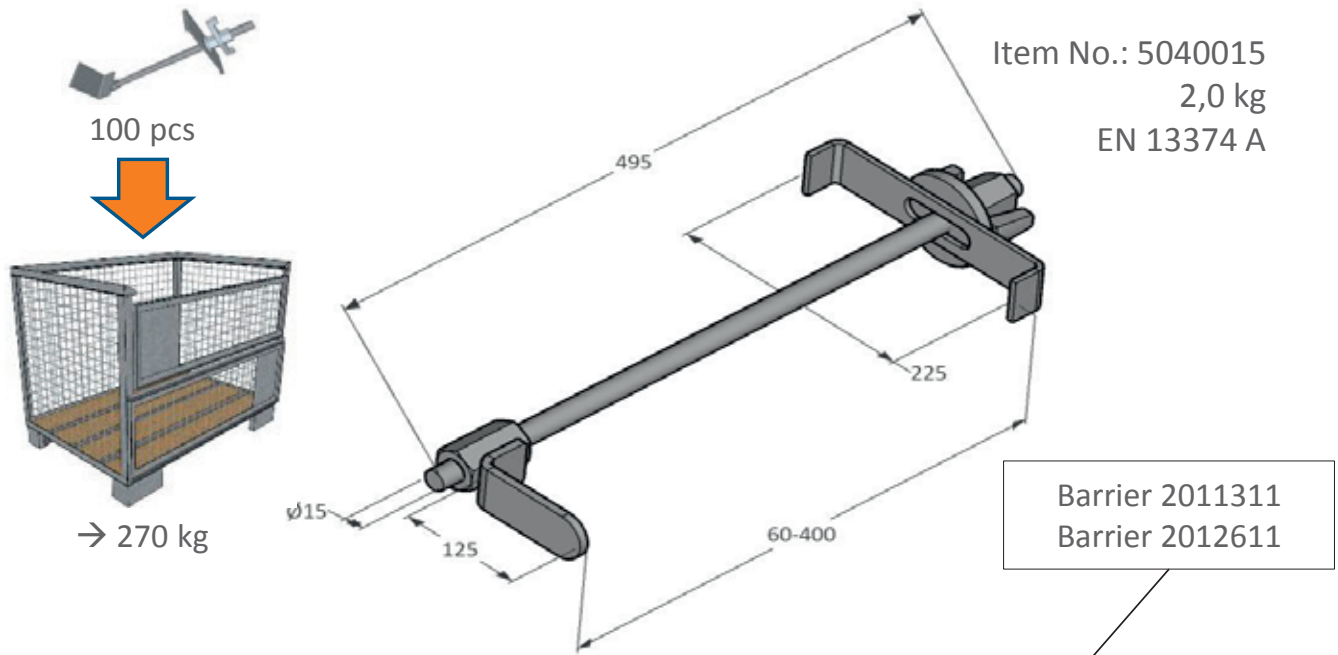


→ 490 kg



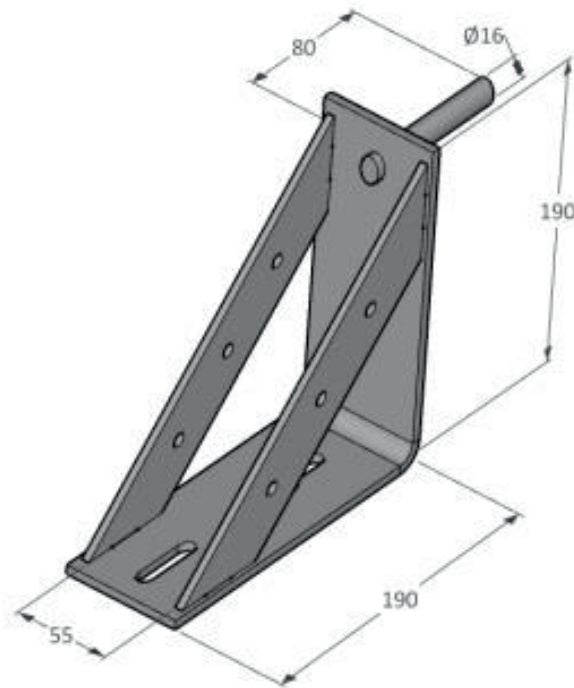
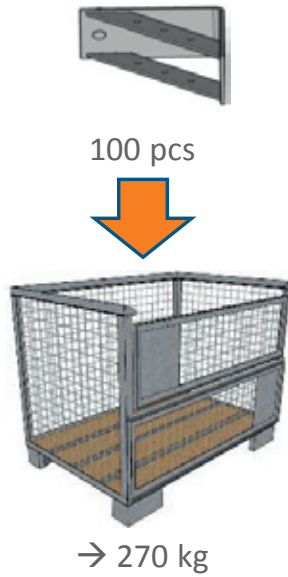
← [mm] →

VT Shaftfix



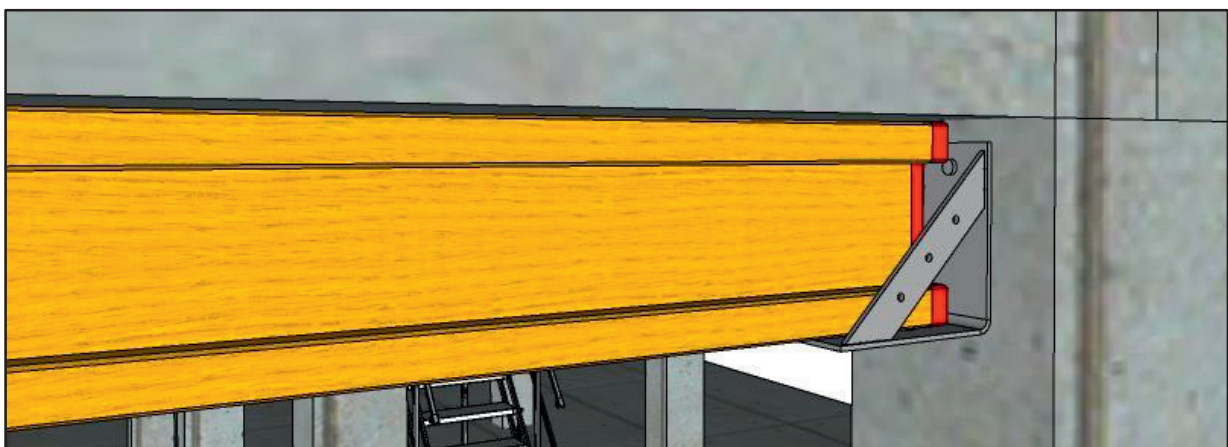
← [mm] →

VT Joist Hanger 55



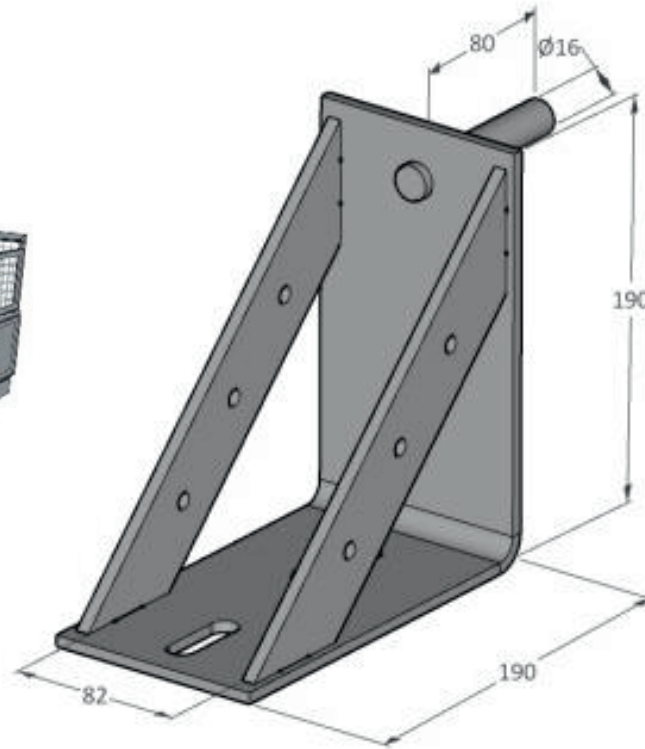
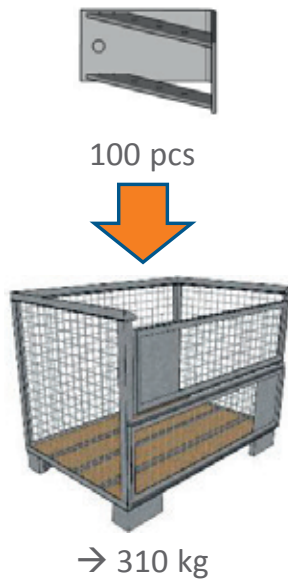
Item No.: 5041016
2,0 kg

**Maximum Load
10kN!**



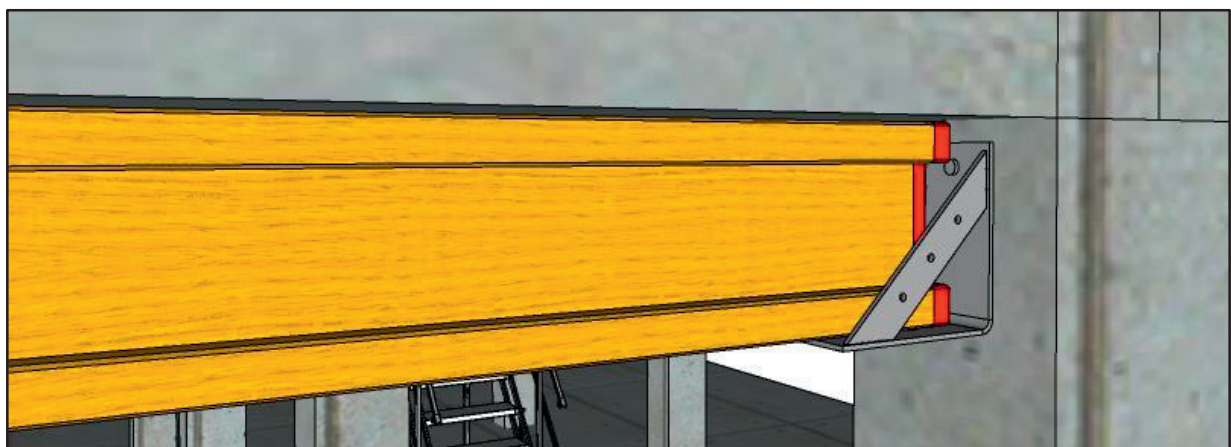
← [mm] →

VT Joist Hanger 82



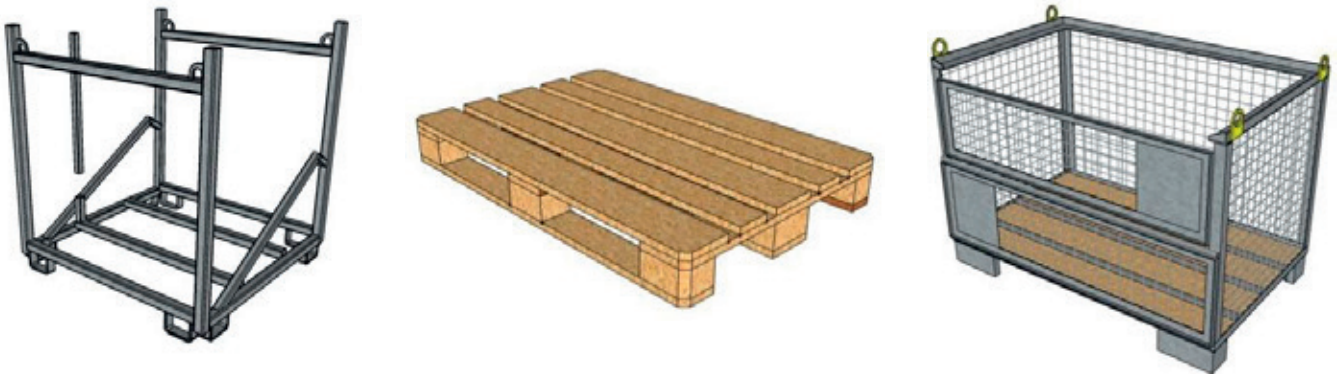
Item No.: 5041005
2,4 kg

Maximum Load
10 kN!



← [mm] →

Means of Transportation

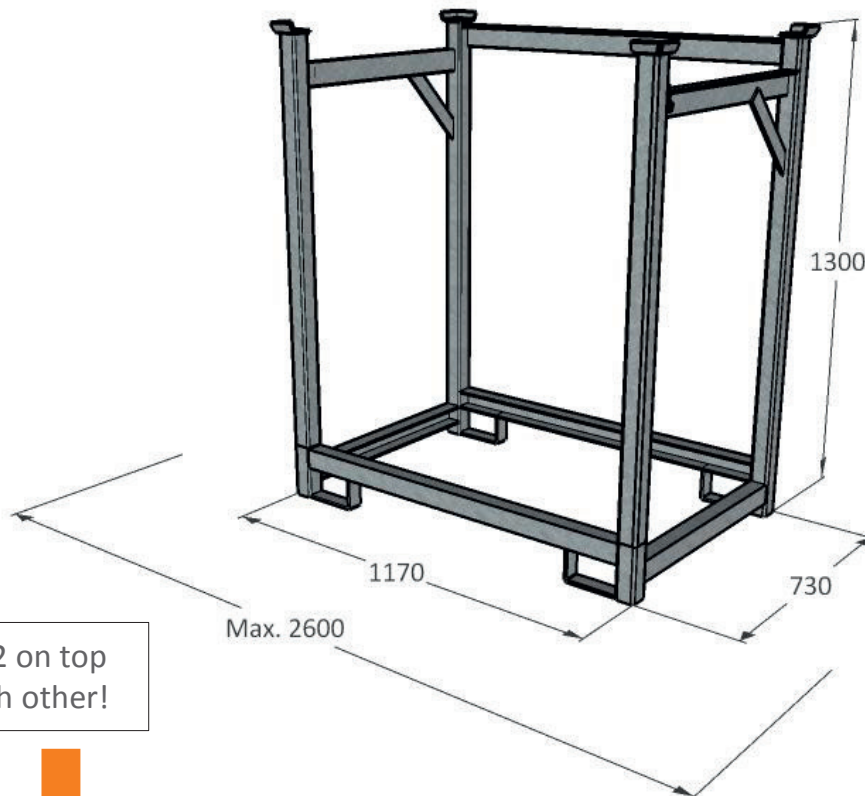


When choosing the right means of transportation, it is essential to ensure safety. The maximum load of individual means of transportation must always be kept in mind.

Statutory regulations and specifications must be observed at all time.

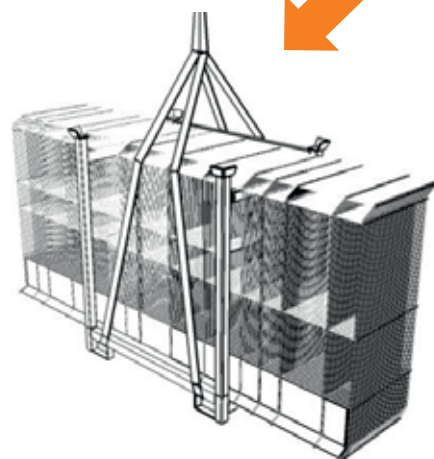
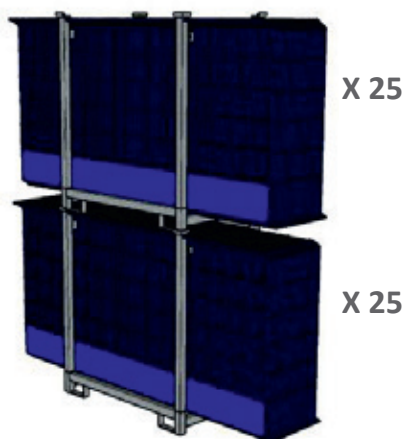
VT Barrier Frame 25

Item No.: 2010001
60,0 kg



Max. 2 on top
of each other!

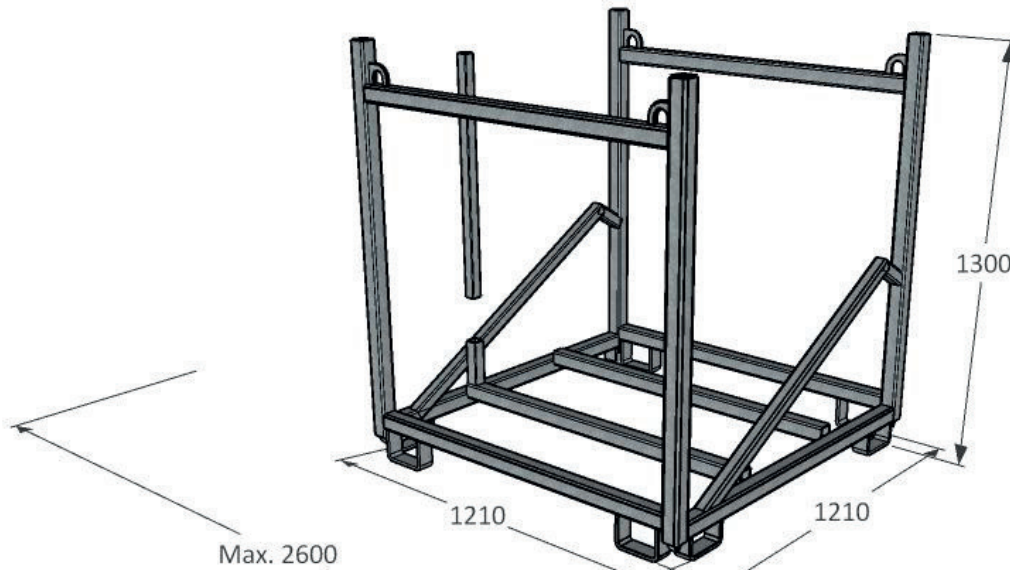
Max. 555 kg!



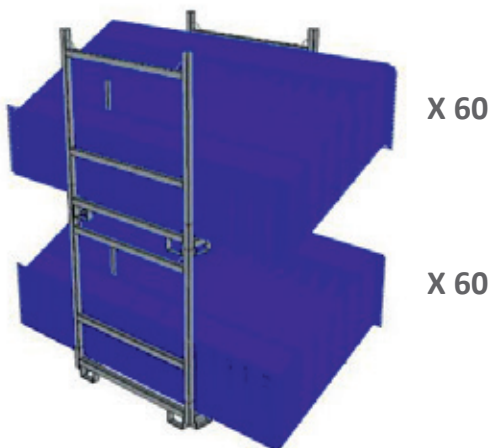
[mm]

VT Barrier Frame 60

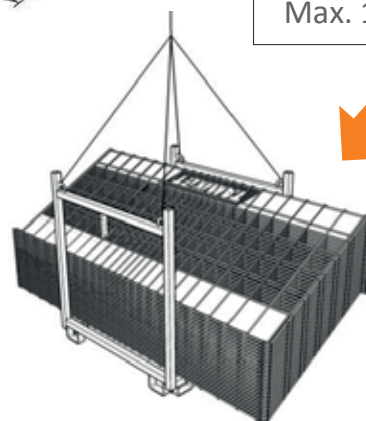
Item No.: 2010007
88,0 kg



Max. 2 on top of each other!



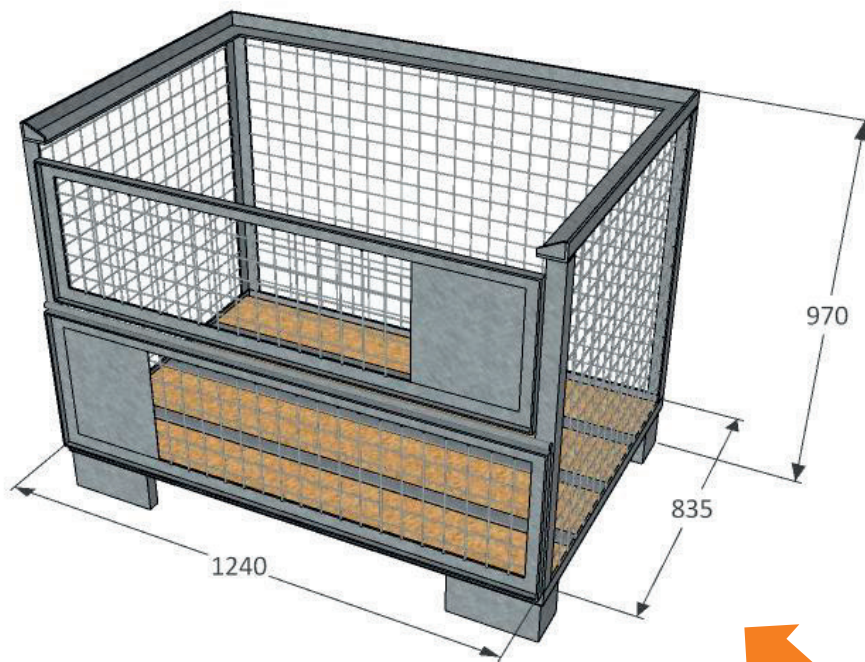
Max. 1300 kg!



← [mm] →

Euro Box

Item No.: 6010003
70,0 kg



Max. 1500 kg!

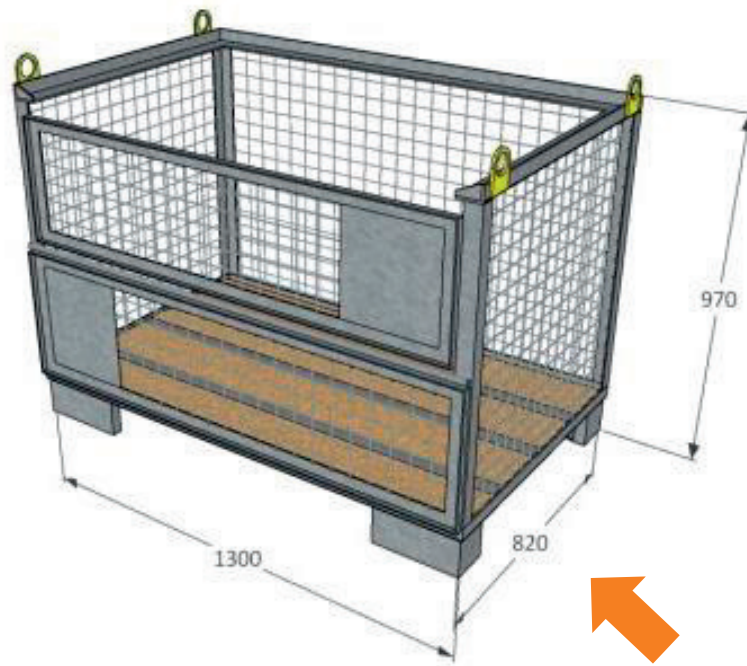


Max. 4 on top
of each other!

[mm]

Box with Crane Hooks

Item No.: 6010006
68,0 kg



Max. 1000 kg!

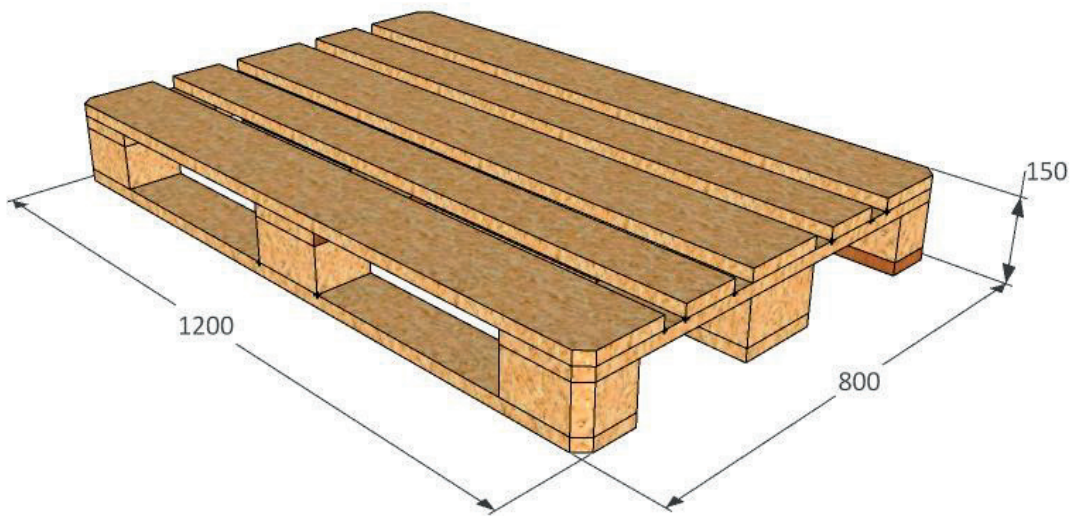


Max. 4 on top
of each other!

← [mm] →

Euro Pallet

Item No.: 6010003
20,0 kg



Max. 2000 kg!



← [mm] →



EasyStairs BV

Baron van Nagellstraat 80, 3781 AT Voorthuizen

T. 085 - 9020 265

info@easystairs.nl | www.easystairs.nl